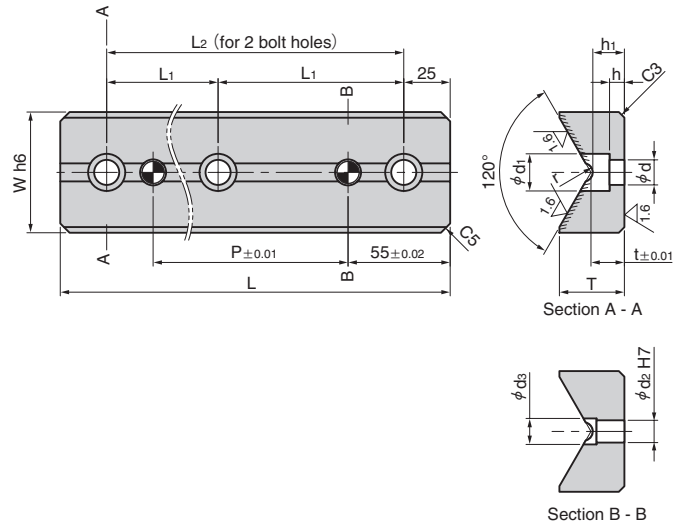


Cam Slide Guide

EUROPEAN STANDARD

VPON (U Block Type)



(Material) 1.1730-H (S45C)
Hatched Area
HRC55 or more

Catalog No.	W	L	L1	L2	P	T	t	r	h	h1	d	d1	d2	d3
VPON-701	65	150	—	100	45	35	18	7	8	17	13.5	20	12	14
VPON-702		200	—	150	95									
VPON-703		250	100	—	145									
VPON-704		300	125	—	195									
VPON-711	125	150	—	100	45	60	28	10	15	24	17.5	26	16	18
VPON-712		200	—	150	95									
VPON-713		250	100	—	145									
VPON-714		300	125	—	195									

● Recommended Mounting Bolt and Dowel

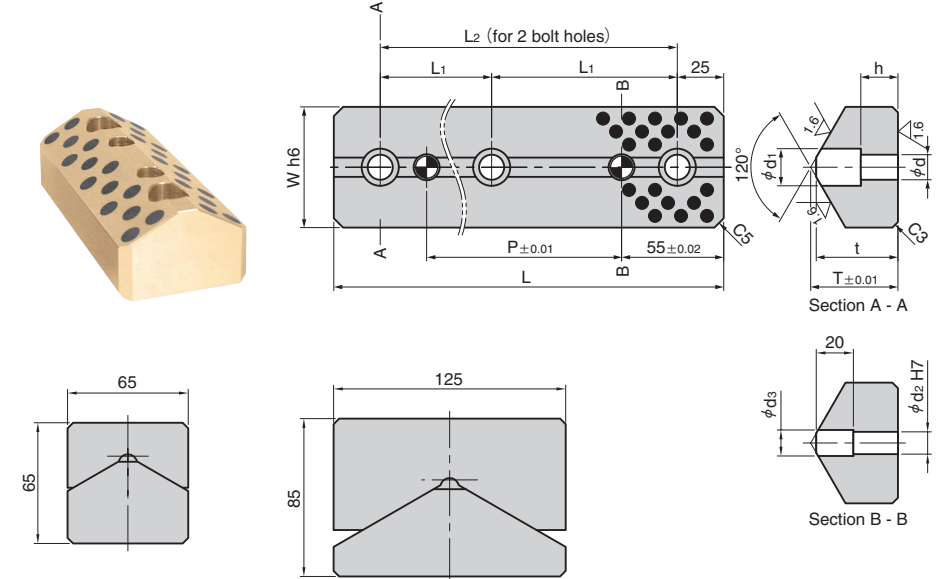
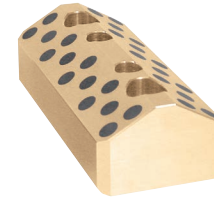
W	Mounting Bolt	Dowel
65	M12x25	φ12x32
125	M16x50	φ16x60

Mounting Bolt (DIN EN ISO4762)
Dowel (DIN EN ISO8733/8735)



Catalog No.
VPON-711

VPUN (V Block Type)



(Material) SO#50SP2

Catalog No.	W	L	L1	L2	P	T	t	h	d	d1	d2	d3
VPUN-751	65	150	—	100	45	47	44	20	13.5	20	12	14
VPUN-752		200	—	150	95							
VPUN-753		250	100	—	145							
VPUN-754		300	125	—	195							
VPUN-761	125	150	—	100	45	57	52	15	17.5	26	16	18
VPUN-762		200	—	150	95							
VPUN-763		250	100	—	145							
VPUN-764		300	125	—	195							

● Recommended Mounting Bolt and Dowel

W	Mounting Bolt	Dowel
65	M12x35	φ12x32
125	M16x50	φ16x60

Mounting Bolt (DIN EN ISO4762)
Dowel (DIN EN ISO8733/8735)



Catalog No.
VPUN-751

European Standard