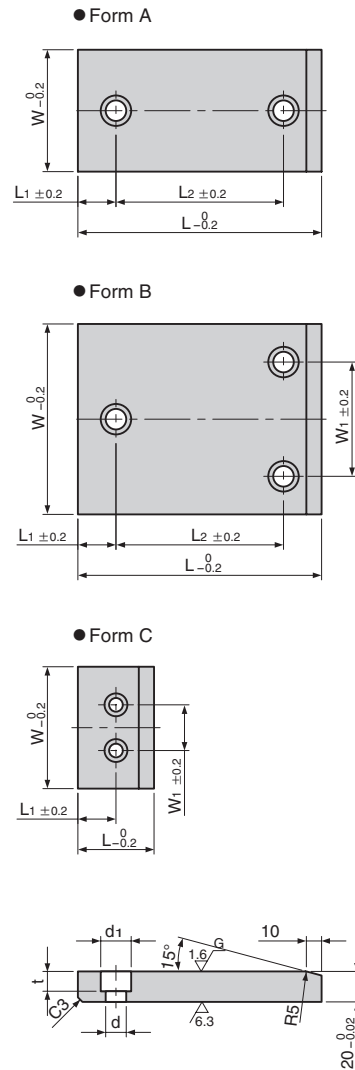
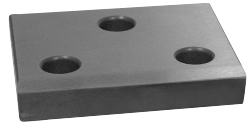


# Wear Plate

EUROPEAN STANDARD

VDI (ST02)



(Material) 1.2379 (SKD11)  
 (Hardness) DIN X55CrVMo12.1  
 HRC58 to 60

Catalog No.	W	L	L1	L2	W1	Form	d	d1	t	Recommended mounting bolt
VDI-62-ST02		80		30			9	15	9	M8x25
VDI-63-ST02		100		50						
VDI-64-ST02	50	125		75	—	A	13.5	20	13	M12x25
VDI-65-ST02		160		110						
VDI-66-ST02		200		150						
VDI-71-ST02		50	25	—	30	C	9	15	9	M8x25
VDI-72-ST02		80		30						
VDI-73-ST02		100		50						
VDI-74-ST02	80	125		75	—	A	13.5	20	13	M12x25
VDI-75-ST02		160		110						
VDI-76-ST02		200		150						
VDI-81-ST02		50	25	—	50	C				
VDI-82-ST02		80	40	—						
VDI-83-ST02	100	100		50			13.5	20	13	M12x25
VDI-84-ST02		125	25	75	—	A				
VDI-85-ST02		160		110						
VDI-86-ST02		200		150						
VDI-91-ST02		50	25	—		C				
VDI-92-ST02		80	40	—						
VDI-93-ST02	125	100		50			13.5	20	13	M12x25
VDI-94-ST02		125	25	75	75	B				
VDI-95-ST02		160		110						
VDI-96-ST02		200		150						
VDI-101-ST02		50	25	—		C				
VDI-102-ST02		80	40	—						
VDI-103-ST02	160	100		50			13.5	20	13	M12x25
VDI-104-ST02		125	25	75	110	B				
VDI-105-ST02		160		110						
VDI-106-ST02		200		150						



Catalog No.  
**VDI-85-ST02**

European Standard