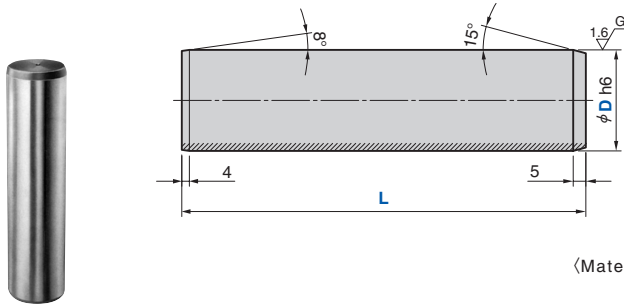


# Guide Post

## EUROPEAN STANDARD

DIN9825 (ISO9182)



<Material> 42CrMo4V (SCM440)  
 Hatched Area  
 HRC60 to 64  
 Depth 1.0 to 1.5mm

Catalog No.	Type	D	L
			140
			160
			170
		24	180
			190
			200
			220
			140
			160
			170
		25	180
			190
			200
			220
			140
			160
			170
		25	180
			190
			200
			220
			140
			160
			170
			180
		30	190
			200
			220
			240
			250
			140
			160
			170
			180
		32	190
			200
			220
			240
			250

Catalog No.	Type	D	L
			160
			180
			200
		40	220
			240
			250
			280
			160
			180
			200
		42	220
			240
			250
			280
			180
			200
			220
			240
			260
			280
			300
			320
			180
			200
			220
			240
		52	260
			280
			300
			320

Catalog No.	Type	D	L
			200
			220
			240
		60	260
			280
			300
			320
			350
			200
			220
		63	240
			260
			280
			300
			320
			350
			260
			280
			300
			350
			400
			450
			500
			300
			350
		100	400
			450
			500

D	Tolerance
	h6
24	
25	$\begin{matrix} 0 \\ -0.013 \end{matrix}$
30	
32	
40	$\begin{matrix} 0 \\ -0.016 \end{matrix}$
42	
50	
52	
60	
63	$\begin{matrix} 0 \\ -0.019 \end{matrix}$
80	
100	$\begin{matrix} 0 \\ -0.022 \end{matrix}$



Catalog No. - Type - D - L

DIN9825 - 01 - 30 - 200 (DIN9825-01-30-200)