

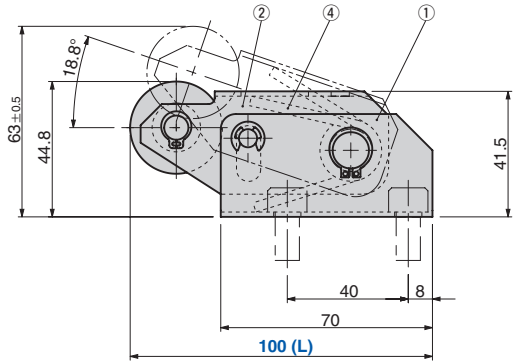
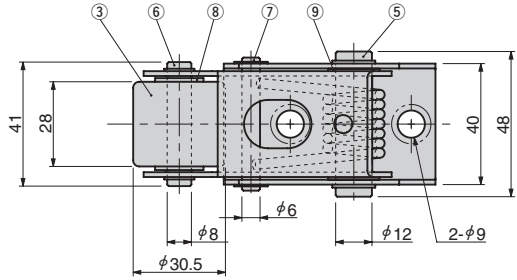
NEW

Coil Support

Economy Type

Blanking Die Components

TAJS

CAD
FILE

No.	Description	Qty	Material and Remark
1	Base	1	Steel
2	Tilt plate	1	Steel
3	Roller	1	SO-2
4	Spring	1	SWP-A
5	Hinge Pin A	1	Steel

No.	Description	Qty	Material and Remark
6	Hinge Pin B	1	Steel
7	Hinge Pin C	1	Steel
8	Washer	2	Steel
9	Shim	2	Steel

Catalog No.	L	Spring Constant kgf·mm/deg
TAJS	100	5.2

Load (on roller) Initial pressure: 3.0 kgf Final pressure: 5.0 kgf



Order

Catalog No.

L

TAJS**100**