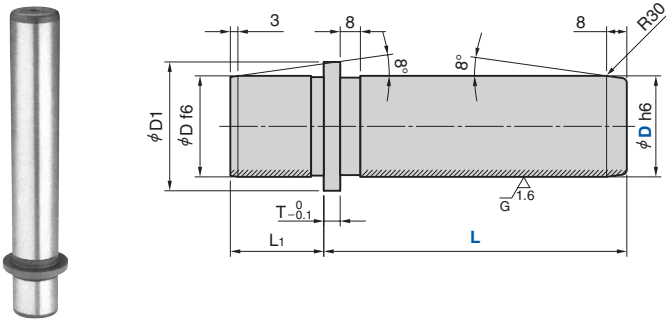


# Guide Post

## European Standard

**GPF04**



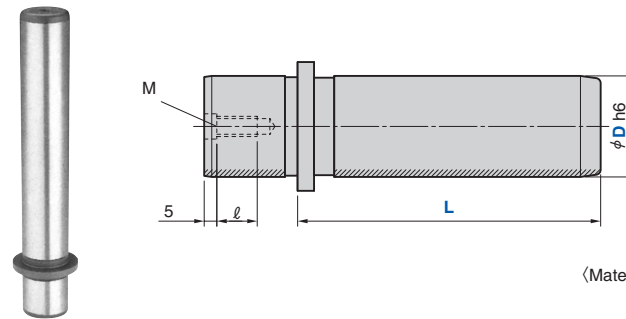
Catalog No.	D	L
GPF04	18	70
		80
		90
		100
		110
		120
		130
		140
		150
		160
GPF04 GPF05	19	70
		80
		90
		100
		110
		120
		130
		140
		150
		160
	24	70
		80
		90
		100
		110
		120
		130
		140
		150
		160
170		
180		

Catalog No.	D	L
GPF04 GPF05	25	70
		80
		90
		100
		110
		120
		130
		140
		150
		160
	32	170
		180
		90
		100
		110
		120
		130
		140
		150
		160
		170
		180
		200
		220
		240
		280

D	D1	L1	T	M
18				M6
19	26	20	3.5	
24	33	24	5	
25				M8
32	41	30		
40	51	37		
50	64	45	6.5	M10
63	76	49		M12
80	93	60		

D	Tolerance	
	h6	f6
18	0 -0.011	-0.016 -0.027
19		
24	0 -0.013	-0.020 -0.033
25		
32		
40	0 -0.016	-0.025 -0.041
50		
63	0 -0.019	-0.030 -0.049
80		

**GPF05 (with Tapped Thread)**



M	ℓ
M6	15
M8	15
M10	16
M12	16

(Material) 42CrMo4V (SCM440)  
Hatched Area  
HRC60 to 64  
Depth 1.0 to 1.5 mm

Catalog No.	D	L
GPF04 GPF05	40	100
		110
		120
		130
		140
		150
		160
		170
		180
		200
	50	220
		240
		280
		110
		120
		130
		140
		150
		160
		170
		180
		200
		220
		240
		280
		320
		360
		400

Catalog No.	D	L
GPF04 GPF05	63	120
		140
		160
		180
		200
		220
		240
		280
		320
		360
	80	400
		120
		140
		160
		180
		200
		220
		240
		280
		320
		360
		400



Catalog No.	D	L
GPF04	32	160
GPF05	40	160