

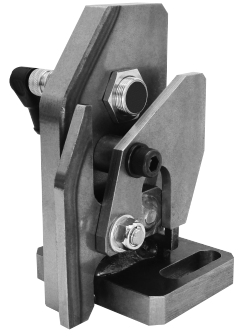
Panel Input Detector Gauge

Parallel Link Gauge Surface Hardened Type

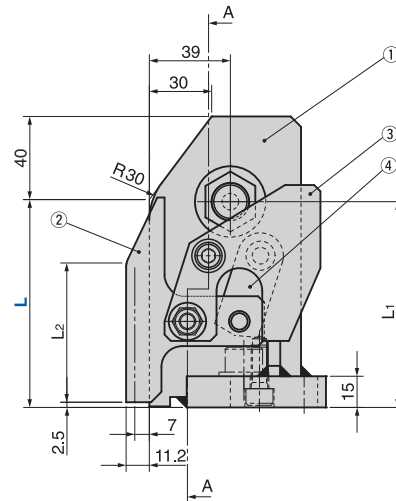
Gauge

HTKHL (L Type)
HTKHR (R Type)

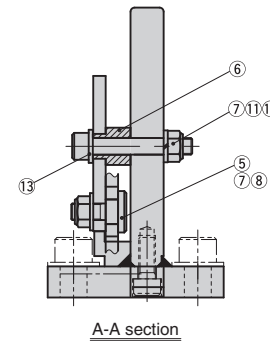
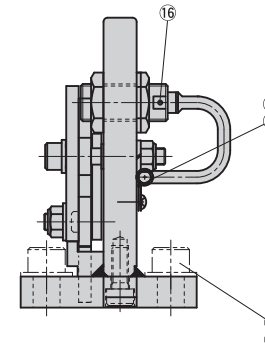
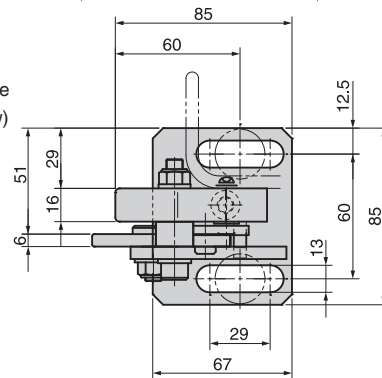
CAD
FILE



This figure shows the L type.
The R type is symmetrical.

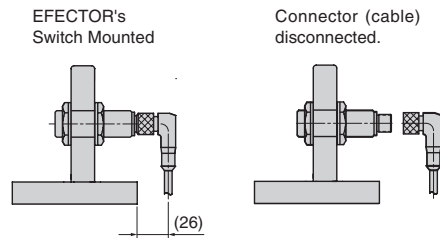


(The switch turns on at 7 mm
away from the gauge surface.)



EFECTOR Connector (IG0348, UL Standard)

- Operation Power Voltage;
AC/DC (common) for 20 V to 250 V
- Connector Type - with anti-loosening mechanism;
Neither the wire adjustment nor switch replacement are
required for this removable cable type. (See the figure below)



Catalog No.	L	Switch Type	L1	L2
HTKHL	75	AC (24V~240V)	99	42
HTKHL	100	DC (24V)	99	67
HTKHR	150	EC (EFECTOR Connector)	124	117
		SN (without switch)		

Order	Catalog No.	L	Switch Type
	HTKHL	100	AC
	HTKHR	150	SN

No.	Description	Qty	Material and Remark
1	Gauge	1	Steel
2	Detection Lever	1	Steel
3	F Link	1	Steel
4	R Link	1	Steel
5	Pin	1	Steel
6	Collar	1	Steel
7	U Nut	2	M8
8	Flat Washer	1	M8
9	Round Head Screw	1	M4x8
10	Cable clip	1	—
11	Spring Washer	1	M8
12	Hexagon Socket Head Bolt	1	M8x50
13	Flat Washer	1	—
14	Hexagon Socket Head Bolt	2	M12x35 (Accessory)
15	Flat Washer	2	M12 (Accessory)
	Proximity Switch (for AC)	(1)	E2E-X5Y1 5M by Omron
	Proximity Switch (for DC)	(1)	E2E-X5C118 5M by Omron
	Proximity Switch (for EC)	(1)	IG0348 by EFECTOR

Features

- Since the detection lever moves parallel, the detection switch is activated regardless of vertical variation of the panel position.
- Position alignment and adjustment of the gauge mounting surface, the lever length and the lever support point are not required.
- Since the lower end of the detection lever moves almost horizontally, machining of the step between the die face and the gauge mounting surface is approx. 3 mm. It is great reduction of machining hours.
- Cable length is 5 m.

