

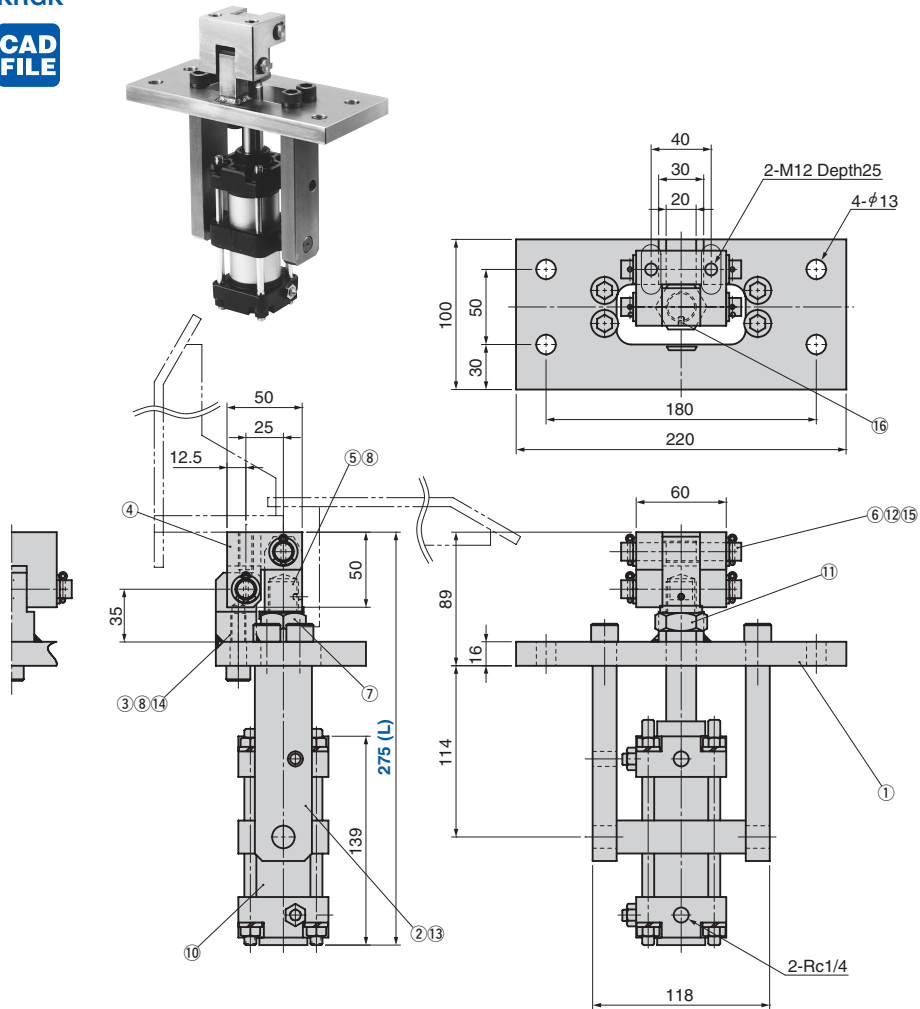
DA Gauge

Economy Swivel Type

Gauge

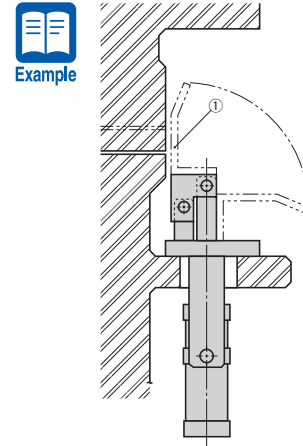
KRGK

CAD
FILE



Catalog No.	L
KRGK	275

Order	Catalog No.	L
	KRGK	275



The Gauge (Fig.①) are not accompanied.

No.	Description	Qty	Material and Remark
1	Base Plate	1	Steel
2	Cylinder Support	2	Steel
3	Gauge Bracket Support	1	Steel
4	Gauge Bracket	1	Steel
5	Joint	1	Steel
6	Joint Pin	2	Steel
7	Turning Lock Plate	1	Steel
8	Bushing	2	LBM

No.	Description	Qty	Material and Remark
10	Air Cylinder	1	SMC (φ 40)
11	Hexagon Nut	1	M20x15
12	Cotter pin	4	3x18
13	Hexagon Socket Head Bolt	4	M12x40
14	Hexagon Socket Head Bolt	1	M10x35
15	Washer	4	φ 12
16	Hexagonal Socket Head Screw	1	M4x6