

Pierce Selector PSR series

PIERCE SELECT

CAD
FILE

Without Sensor

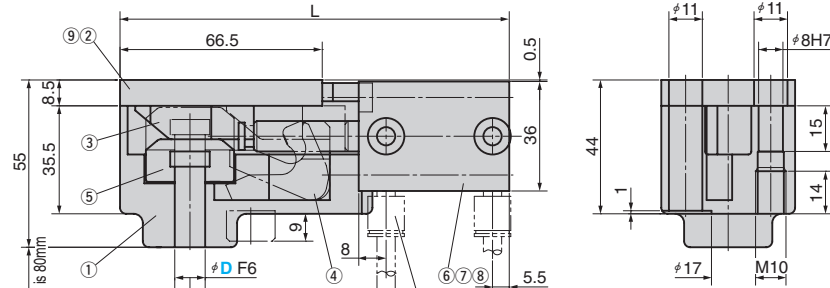
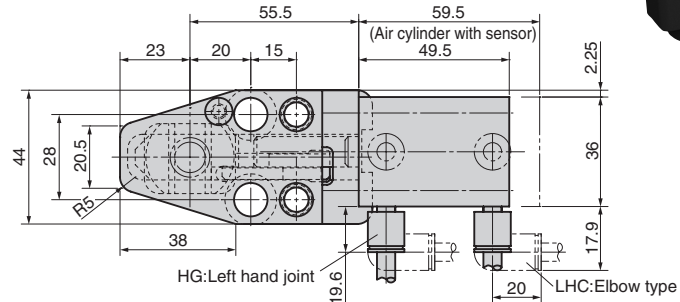
PSR (For Round Punch)

PSRH (For Irregular Shaped Punch)

With Sensor

PSRS (For Round Punch)

PSRSH (For Irregular Shaped Punch)



■ Sensor Specification

Contact, 2-wire type
Operating voltage DC24V AC100V
Reed length 3m

■ Table of Components

No.	Description	Qty	Material and Remark
①	Housing	1	SCM440
②	Backing Plate	1	S45C
③	Slide Bar	1	S45C
④	Lever	1	SCM440
⑤	Adaptor Ring	1	S45C
⑥	Air Cylinder	1	BY CKD (With/without sensor)
⑦	Joint	2	BY CKD (GWS6-M5)
⑧	Hexagon Socket Head Bolt	4	SCM435 M5-55 (65)
⑨	Hexagon Socket Head Bolt	1	SCM435 M5-15
⑩	Screw Plug	2	SCM435 M10-10
⑪	Hexagon Socket Head Bolt	2	SCM435 M10-65
⑫	Dowel Pin	2	SUJ2 φ8-40

* Cylinder, driving pressure
min 0.4MPa

* Weight
• Without Sensor...1.0kg
• With Sensor...1.1kg

L		Catalog No.	D	Joint position G
Without Sensor	With Sensor			
		PSR	10	HG(Left joint)
128	138	PSRH PSRS PSRSH	13	MG(Right joint)
			16	SG(Downward)

*Joint position

HG and SG are as shown in the diagram on the left page. The positions for MG are in a symmetric positions of HG shown in the diagram on the left page.

Order	Catalog No.	D	G
	PSR	13	HG

Option	Option Code	Specification
	LHC	The pipe joint is changed to the L (elbow) type. (GWL6-M5).

Order **PSR13 - HG - LHC**

■ For Operation

● Mounting a punch

- 1) Remove the backing plate and slide bar to pull out the piercing ring.
- 2) Mount the punch on the piercing ring.
- 3) Incorporate the piercing ring with a punch mounted on the retainer.

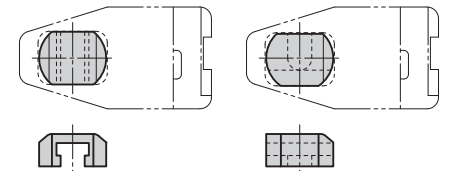
When using an irregular shaped punch, incorporate the piercing ring so that the slanted surface of the chamfer is in the rear (air cylinder side). It cannot be incorporated in reverse direction.

- 4) Incorporate the slide bar and backing plate.

* When using an irregular shaped punch, the clearances for the piercing ring and retainer main body must be correctly controlled. Check the alignment marks before setting in place.

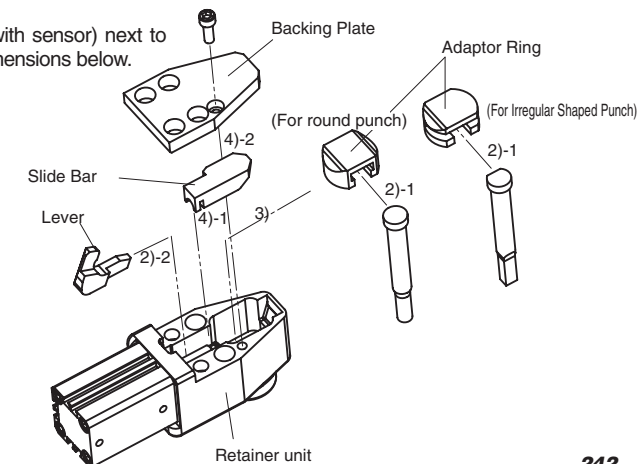
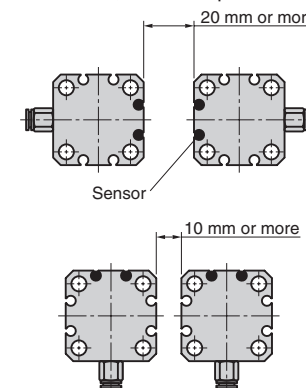
● Adaptor ring specification

(For round punch) (For Irregular Shaped Punch)



● Precautions for using a sensor

When using PSRS type (PSR series with sensor) next to each other, secure a space with the dimensions below.



Pierce Components