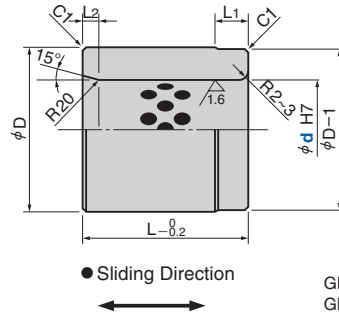


# Guide Bush

## Straight and Flange Type

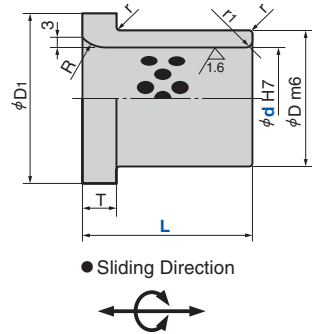
### Die Guide Components

**GPBW** (Bronze with Graphite)  
**GPBF** (FC250 with Graphite)



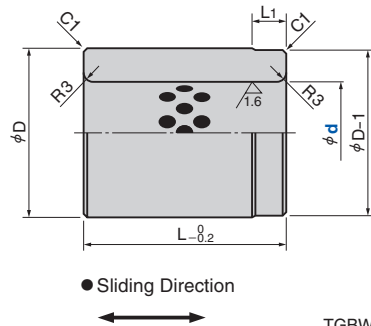
GPBW (Material) SO#50SP2  
 GPBF (Material) SO#50F

**SEFW** (Flange Type)



(Material) SO#50SP2

**TGBW** (Bronze with Graphite)  
**TGBF** (FC250 with Graphite)



TGBW (Material) SO#50SP2  
 TGBF (Material) SO#50F

Catalog No.	d	d H7	D Tolerance	L	L1	L2
	25	25	$+0.021$ 0	40	$\pm 0.008$	40
	30	30		50		10
	35	35		60		15
<b>GPBW</b>	40	40	$+0.025$ 0	60	$\pm 0.0095$	10
<b>GPBF</b>	50	50		70		15
	60	60	$+0.030$ 0	80		20
	80	80		100	$\pm 0.011$	120
	100	100	$+0.035$ 0	120		150
	120	120		140	$\pm 0.0125$	180

Catalog No.	d	L	d H7	D m6	D1	T	R	r	r1
	25	40	25	$+0.021$ 0	35	$+0.025$ $+0.009$	45	7	
	30	50	30		40		50		10
	40	70	40	$+0.025$ 0	55		65		1
	50		50		65		75		
<b>SEFW</b>	60	80	60		75	$+0.030$ $+0.011$	85		
	65	120	65	$+0.030$ 0	80		90	10	20
	80	100	80		100		110		2
	80	140	80						2
	100	100	100	$+0.035$ 0	120		130		
	100	140	100						

Catalog No.	d	d Tolerance	D Tolerance	L	L1
<b>TGBW</b>	30	30	50	$\pm 0.008$	60
<b>TGBF</b>	40	40	$+0.039$ 0	60	80
	50	50		$\pm 0.0095$	100



Catalog No.	d	L
<b>GPBF</b>	50	
<b>SEFW</b>	50	80
<b>TGBW</b>	30	

Die Guide Components