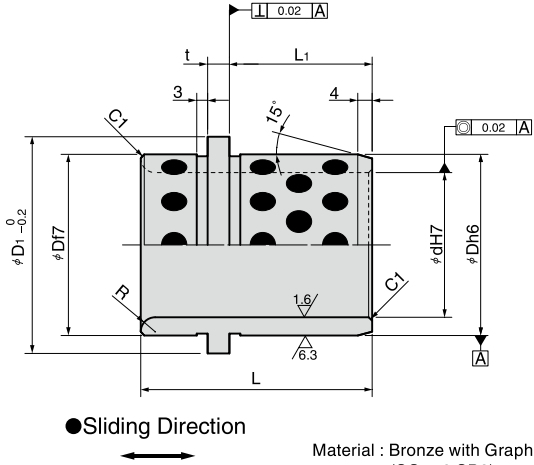


TSOEG



Material : Bronze with Graphite (SO#50 SP2)

\*Operation ambient temperature: 0 to 300°C

d	L	L1	t	D f7	D h6	D1	d H7	R	Catalog No.	Nominal
25	43	24	7.5	35	35	40	25	3	TSOEG	25
30		42	-0.025 -0.050	42		0 -0.016	47			30
40	60	35.5	6	50	50	59.9	40	4		40.1
	64	39.5								40.2
50	77	44.5	8	63	63	71.9	50	4		50.3
	92	55.5								50.4
60	78	49	7.5	80	80	86	60	3		60
	95	55.5	-0.030 -0.060							0 -0.019
63	100	62.5	8	80	80	89.9	63	4		63.6
	108									63.7



Order

Catalog No. — Nominal

TSOEG — 30