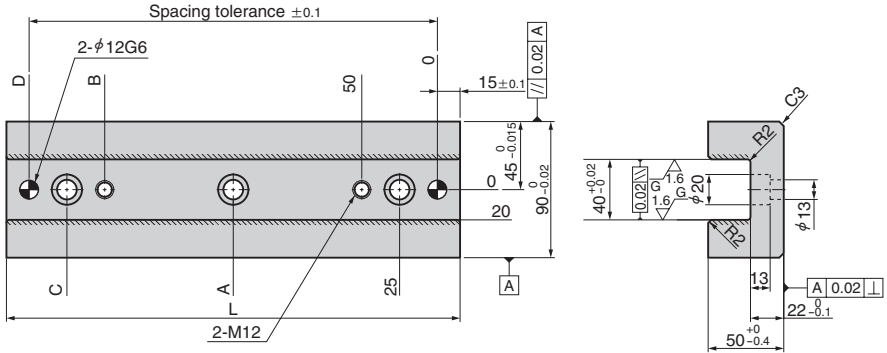


# Center Key Guide

NAAMS STANDARD

SNG41 (Steel Type) Series



〈Material〉 1045 (S45C)  
 Area to be Induction Hardened  
 (Hatched Area)  
 HRC55 to 60

Catalog No.		No. of Mounting Bolts	A	B	C	D	L	NAAMS Code
Series Name	No.							
SNG41	9020	2	—	120	145	170	200	G419020
	9030	3	135	220	245	270	300	G419030

SNG41 Series is made to order.



Catalog No.	
Series Name	No.

SNG41 9020 (SNG419020)