

AERIAL CAM UNIT

| グレード   | 加工力 kN (tonf) |              |              | Catalog No. | W   | θ<br>5°ピッチ | 圧力源<br>PS     |
|--------|---------------|--------------|--------------|-------------|-----|------------|---------------|
|        | 100万回<br>標準   | 100万回<br>条件付 | 30万回<br>条件付  |             |     |            |               |
| Yellow | 90.2 (9.2)    | 112.8 (11.5) | 135.3 (13.8) | VACYL       | 140 | 00~70      | GK NGK<br>ISO |
| Pink   | 127.4 (13.0)  | 159.3 (16.3) | 191.1 (19.5) | VACPL       |     |            |               |
| Black  | 190.0 (19.4)  | 235.0 (24.0) | 270.0 (27.6) | VACBL       |     |            |               |

ISO:Coil Spring GK:Gas Spring (KALLER)  
 NGK:Gas Spring無 スプリング取付部品は付属します。

Order

| Catalog No. | W   | θ  | PS  | Option |
|-------------|-----|----|-----|--------|
| VACYL       | 140 | 10 | ISO |        |
| VACPL       | 140 | 10 | GK  | NF-K   |
| VACBL       | 140 | 10 | GK  |        |

Option

| オプションコード | 仕様           |
|----------|--------------|
| NF       | 窒素ガス充填無し。    |
| K        | 専用のキーが付属します。 |

キー詳細P.390参照。

■スプリング力

●Coil Spring仕様  
 Yellow

| θ  | 初圧  |      | 終圧   |     | 使用<br>スプリング |
|----|-----|------|------|-----|-------------|
|    | N   | kgf  | N    | kgf |             |
| 00 | 523 | 53.4 | 4636 | 473 | TJM50-178   |
| 05 | 523 | 53.4 | 4636 | 473 | TJM50-178   |
| 10 | 523 | 53.4 | 4636 | 473 | TJM50-178   |
| 15 | 523 | 53.4 | 4636 | 473 | TJM50-178   |
| 20 | 523 | 53.4 | 4636 | 473 | TJM50-178   |
| 25 | 523 | 53.4 | 4636 | 473 | TJM50-178   |
| 30 | 523 | 53.4 | 4636 | 473 | TJM50-178   |
| 35 | 523 | 53.4 | 4636 | 473 | TJM50-178   |
| 40 | 523 | 53.4 | 4636 | 473 | TJM50-178   |
| 45 | 523 | 53.4 | 4636 | 473 | TJM50-178   |
| 50 | 523 | 53.4 | 4636 | 473 | TJM50-178   |
| 55 | 438 | 44.7 | 4556 | 465 | TJM50-152   |
| 60 | 575 | 58.7 | 4505 | 460 | TJM50-139   |
| 65 | 463 | 47.3 | 4518 | 461 | TJM50-115   |
| 70 | 784 | 80.0 | 4442 | 453 | TJM50-102   |

Pink

| θ  | 初圧  |      | 終圧   |     | 使用<br>スプリング |         |
|----|-----|------|------|-----|-------------|---------|
|    | N   | kgf  | N    | kgf |             |         |
| 00 | 429 | 43.8 | 8902 | 908 | TF50-100    | TH50-75 |
| 05 | 429 | 43.8 | 8902 | 908 | TF50-100    | TH50-75 |
| 10 | 429 | 43.8 | 8902 | 908 | TF50-100    | TH50-75 |
| 15 | 429 | 43.8 | 8902 | 908 | TF50-100    | TH50-75 |
| 20 | 429 | 43.8 | 8902 | 908 | TF50-100    | TH50-75 |
| 25 | 429 | 43.8 | 8902 | 908 | TF50-100    | TH50-75 |
| 30 | 429 | 43.8 | 8902 | 908 | TF50-100    | TH50-75 |
| 35 | 429 | 43.8 | 8902 | 908 | TF50-100    | TH50-75 |
| 40 | 429 | 43.8 | 8902 | 908 | TF50-100    | TH50-75 |
| 45 | 429 | 43.8 | 8902 | 908 | TF50-100    | TH50-75 |
| 50 | 429 | 43.8 | 8902 | 908 | TF50-100    | TH50-75 |
| 55 | 393 | 40.1 | 8683 | 886 | TF50-90     | TH50-75 |
| 60 | 629 | 64.2 | 8683 | 886 | TF50-90     | TH50-75 |
| 65 | 525 | 53.6 | 8412 | 858 | TF50-80     | TH50-75 |
| 70 | 443 | 45.2 | 8061 | 823 | TF50-70     | TH50-75 |

■スプリング力

●Gas Spring仕様  
 Yellow, Pink, Black共通

| θ  | 終圧    |      | 使用<br>スプリング |
|----|-------|------|-------------|
|    | N     | kgf  |             |
| 00 | 11162 | 1139 | X750-63     |
| 05 | 11162 | 1139 | X750-63     |
| 10 | 11162 | 1139 | X750-63     |
| 15 | 11162 | 1139 | X750-63     |
| 20 | 11162 | 1139 | X750-63     |
| 25 | 11162 | 1139 | X750-63     |
| 30 | 11162 | 1139 | X750-63     |
| 35 | 11162 | 1139 | X750-63     |
| 40 | 11162 | 1139 | X750-63     |
| 45 | 11162 | 1139 | X750-63     |
| 50 | 11162 | 1139 | X750-63     |
| 55 | 11438 | 1167 | X750-50     |
| 60 | 10911 | 1113 | X750-50     |
| 65 | 11327 | 1156 | X750-38     |
| 70 | 11103 | 1133 | X750-32     |

■重量

| θ  | 全重量<br>kg | カムスライダ重量<br>kg | 取付工具重量*1<br>kg |
|----|-----------|----------------|----------------|
| 00 | 47.3      | 17.2           | 12.8           |
| 05 | 46.8      | 17.2           | 12.8           |
| 10 | 46.3      | 17.2           | 12.8           |
| 15 | 45.9      | 17.2           | 12.8           |
| 20 | 45.7      | 17.2           | 12.8           |
| 25 | 45.5      | 17.2           | 12.8           |
| 30 | 45.3      | 17.2           | 12.8           |
| 35 | 45.6      | 17.2           | 12.8           |
| 40 | 46.4      | 17.2           | 12.8           |
| 45 | 47.8      | 17.2           | 12.8           |
| 50 | 49.3      | 17.2           | 12.8           |
| 55 | 50.9      | 18.5           | 11.5           |
| 60 | 51.7      | 19.1           | 10.9           |
| 65 | 53.0      | 20.3           | 9.7            |
| 70 | 53.3      | 20.4           | 9.6            |

\*1 取付工具重量は目安値です。厳密にはプレス速度により変わります。

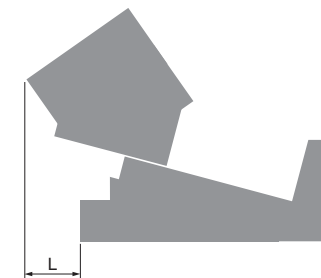
■カムストローク

| θ  | ストローク<br>mm |
|----|-------------|
| 00 | 35.4        |
| 05 | 39.0        |
| 10 | 42.8        |
| 15 | 46.6        |
| 20 | 50.7        |
| 25 | 55.0        |
| 30 | 59.7        |
| 35 | 64.9        |
| 40 | 70.7        |
| 45 | 77.5        |
| 50 | 85.6        |
| 55 | 81.9        |
| 60 | 82.0        |
| 65 | 82.8        |
| 70 | 81.9        |

■後方抜きスペース

●Coil Spring仕様  
 Gas Spring仕様

| θ  | L<br>mm |
|----|---------|
| 00 | 0.0     |
| 05 | 0.0     |
| 10 | 0.0     |
| 15 | 6.8     |
| 20 | 14.1    |
| 25 | 27.5    |
| 30 | 40.7    |
| 35 | 51.7    |
| 40 | 62.3    |
| 45 | 67.5    |
| 50 | 68.3    |
| 55 | 77.2    |
| 60 | 85.8    |
| 65 | 92.7    |
| 70 | 98.8    |



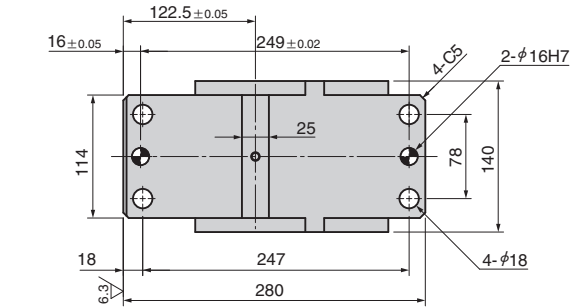
**AERIAL CAM UNIT**

VACYL140-00  
 VACPL140-00  
 VACBL140-00

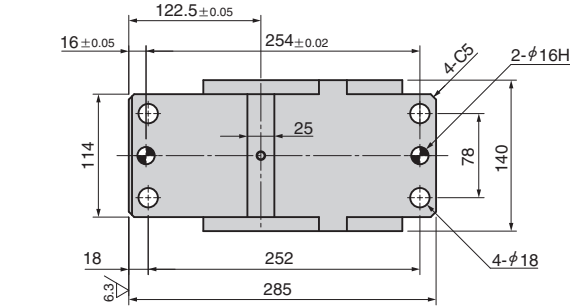
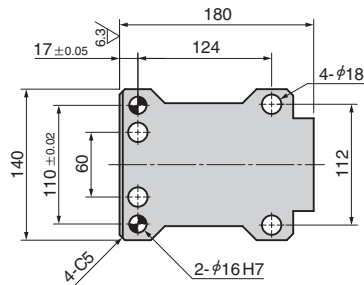
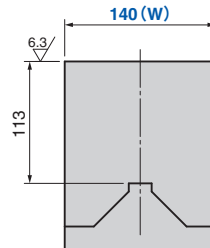
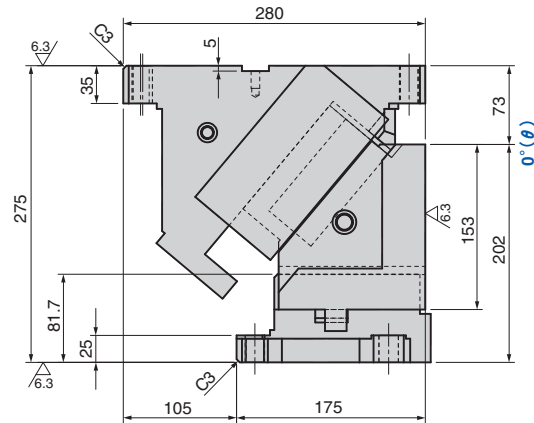
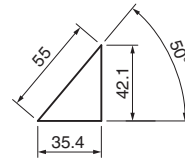
**CAD FILE**

VACYL140-05  
 VACPL140-05  
 VACBL140-05

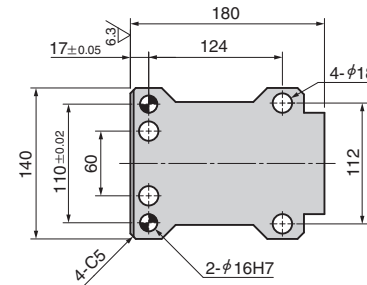
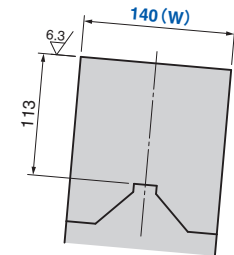
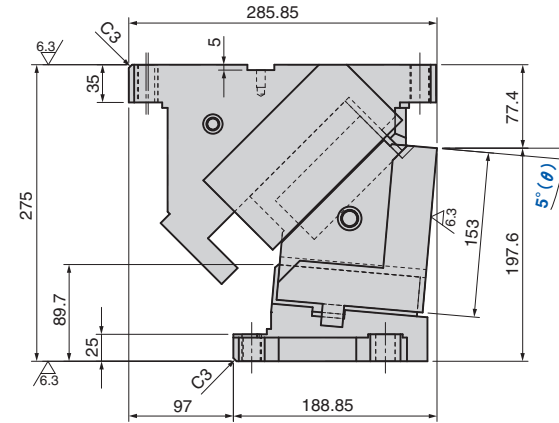
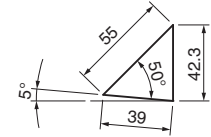
**CAD FILE**



● Cam Diagram



● Cam Diagram



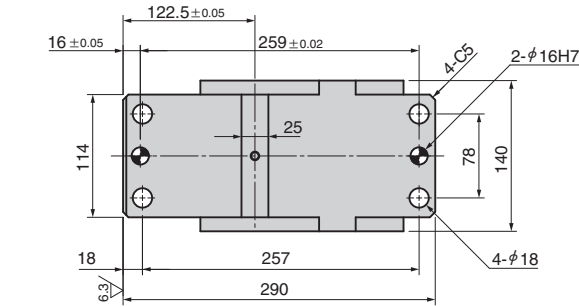
**AERIAL CAM UNIT**

VACYL140-10  
 VACPL140-10  
 VACBL140-10

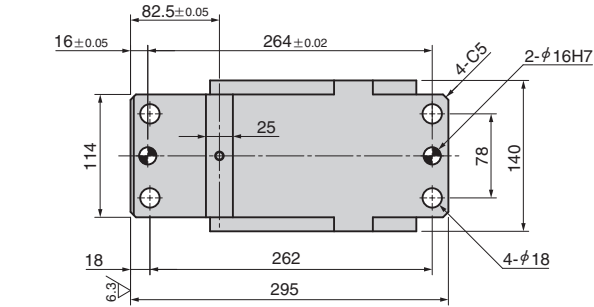
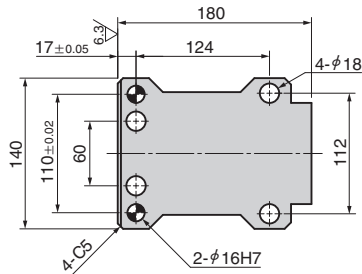
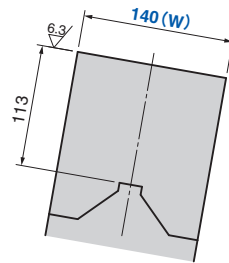
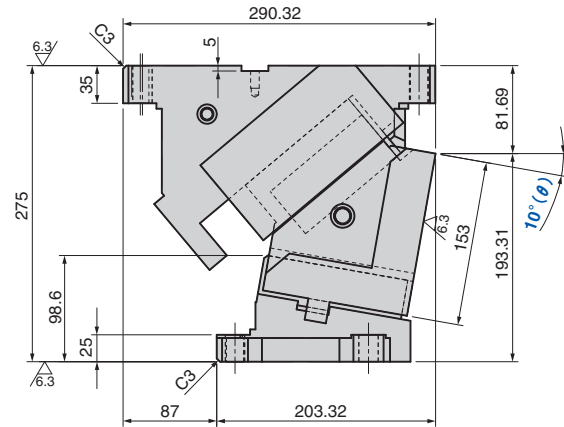
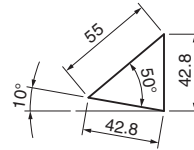
**CAD FILE**

VACYL140-15  
 VACPL140-15  
 VACBL140-15

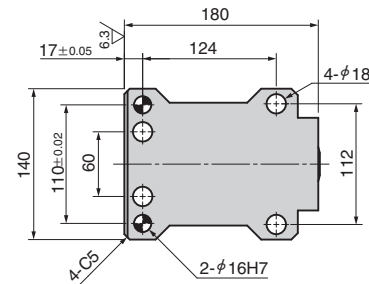
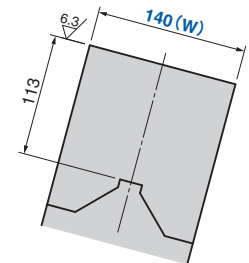
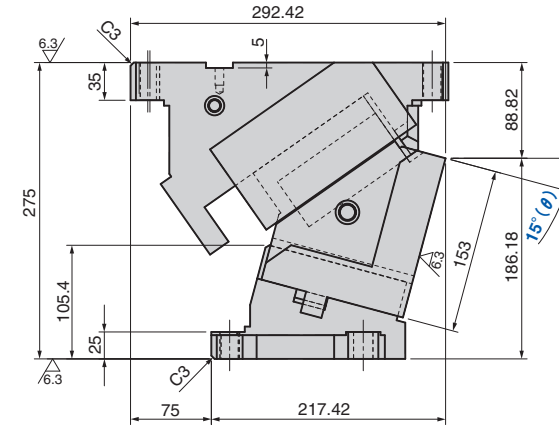
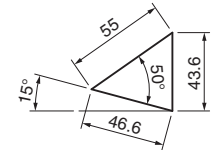
**CAD FILE**



● Cam Diagram



● Cam Diagram



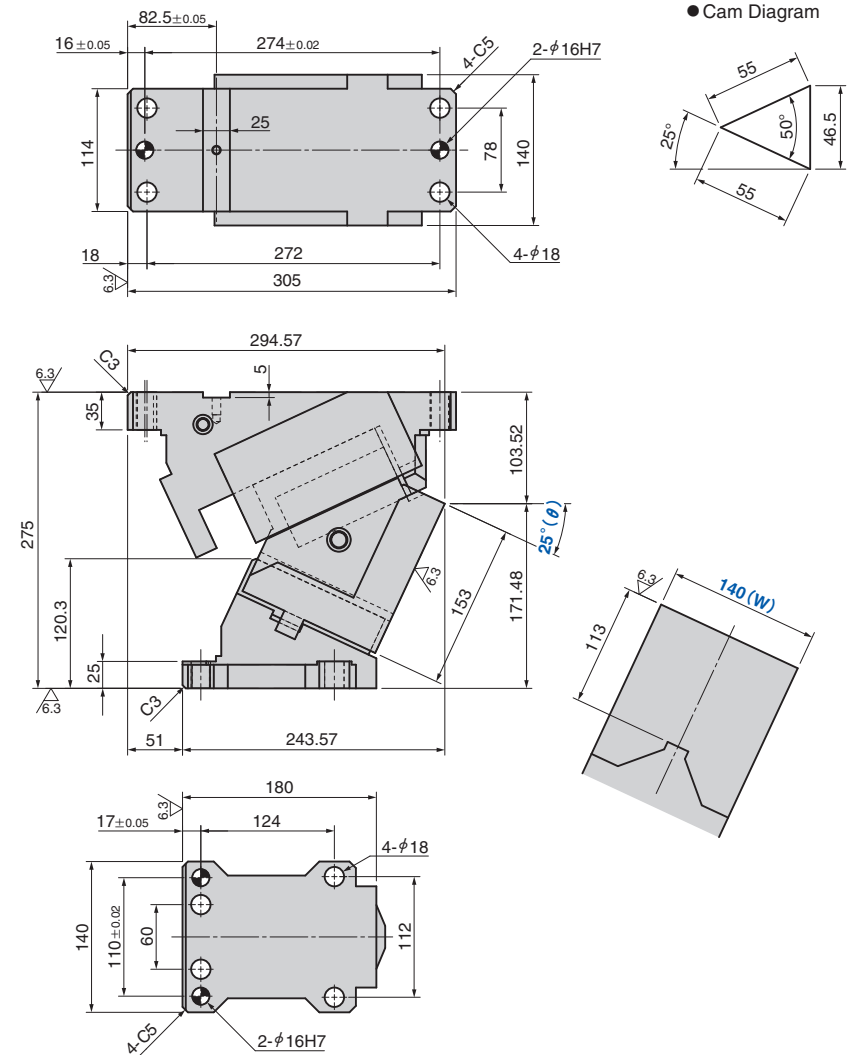
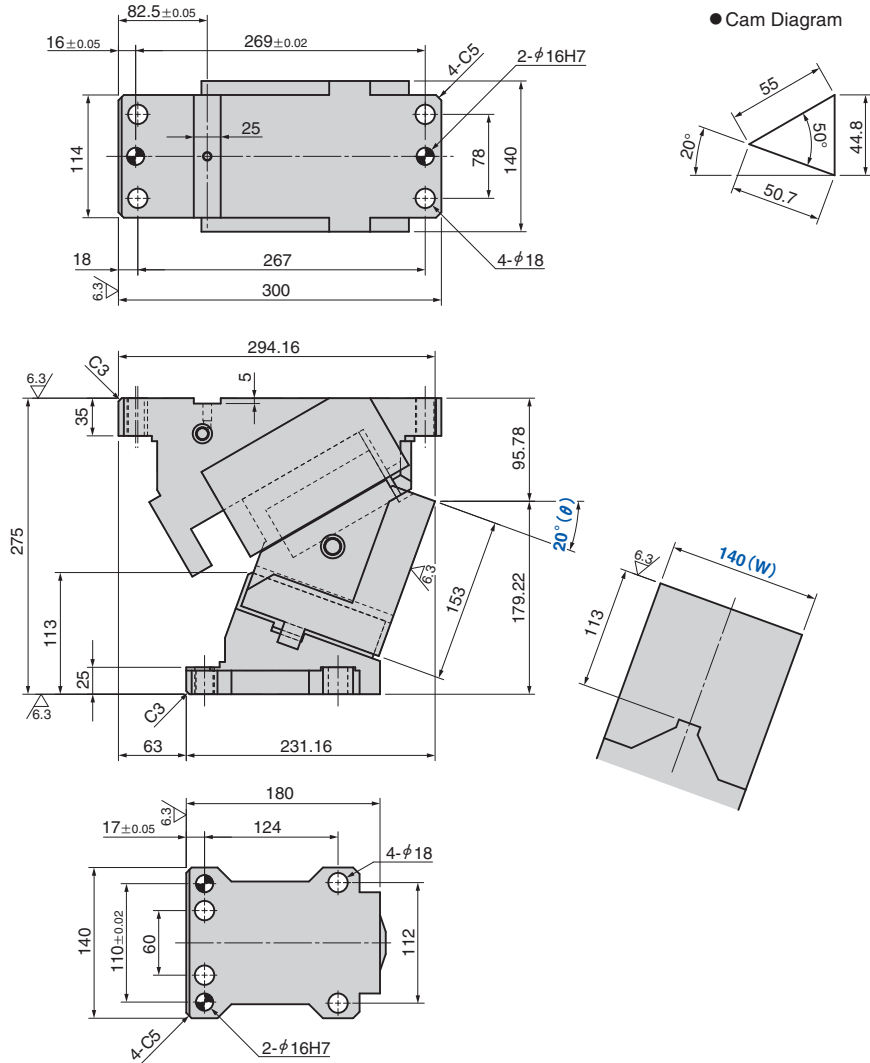
**AERIAL CAM UNIT**

VACYL140-20  
 VACPL140-20  
 VACBL140-20

**CAD FILE**

VACYL140-25  
 VACPL140-25  
 VACBL140-25

**CAD FILE**



部品表P.393参照。

部品表P.393参照。

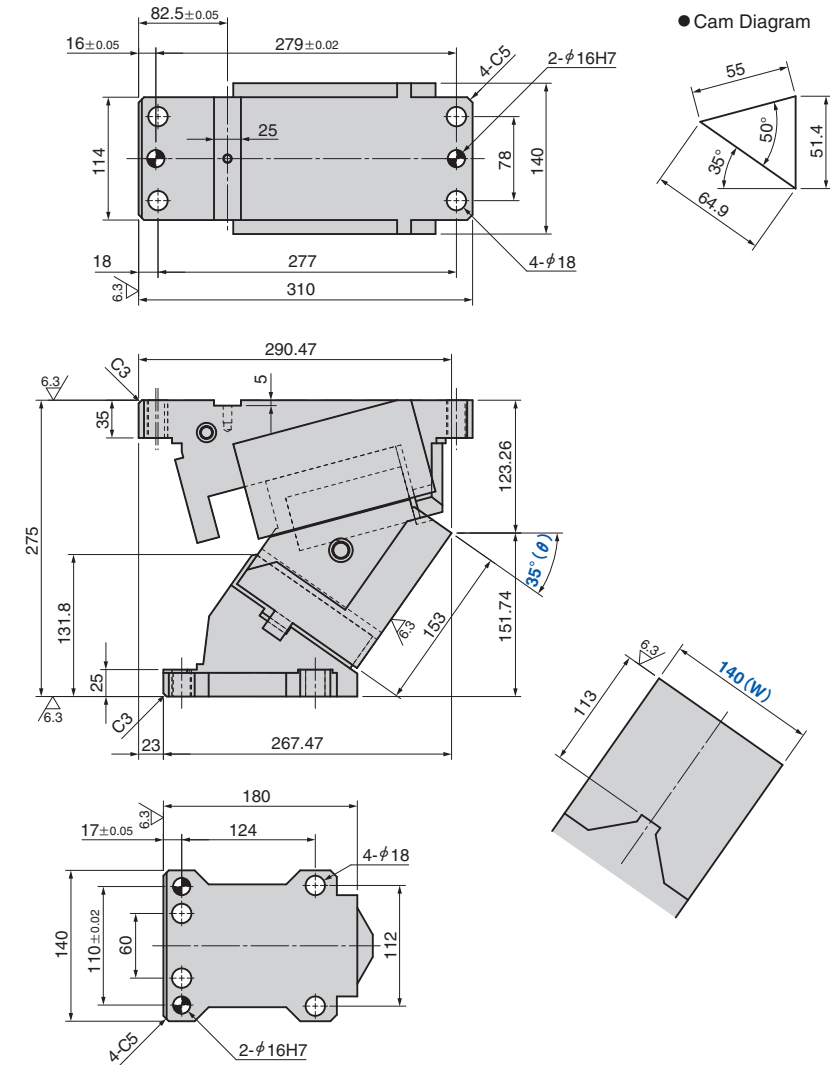
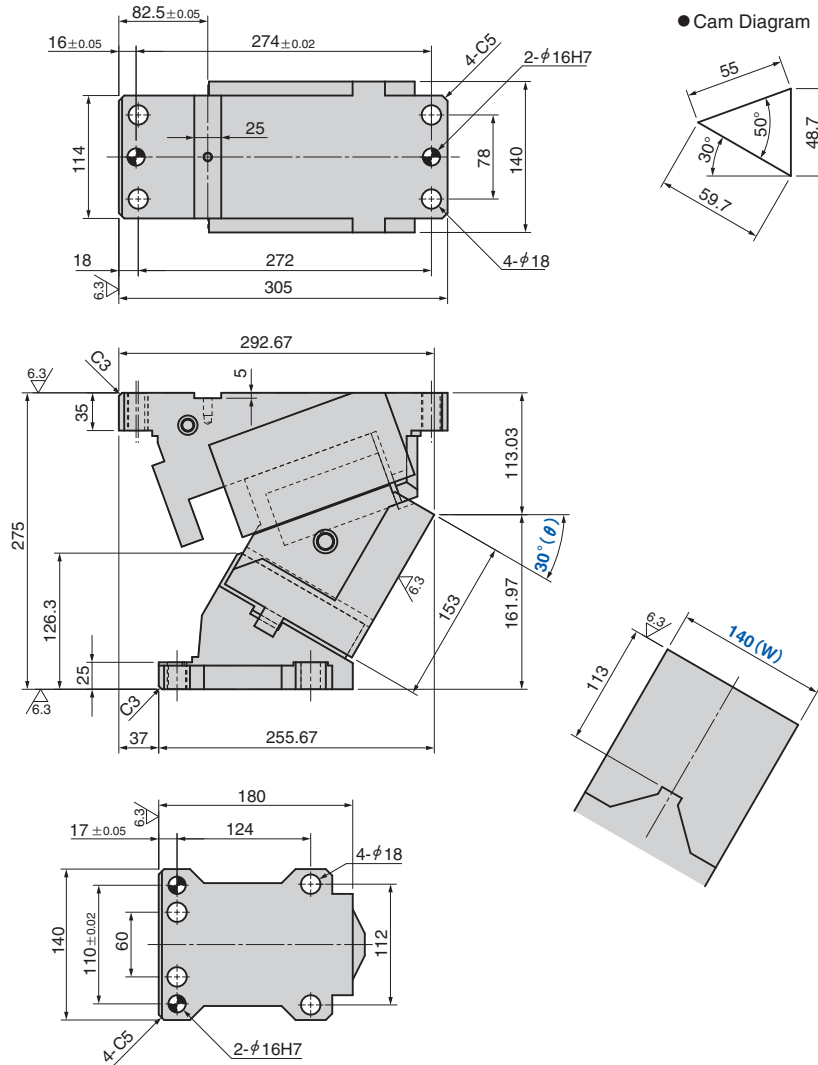
**AERIAL CAM UNIT**

VACYL140-30  
 VACPL140-30  
 VACBL140-30

**CAD FILE**

VACYL140-35  
 VACPL140-35  
 VACBL140-35

**CAD FILE**



▶ 部品表P.393参照。

▶ 部品表P.393参照。

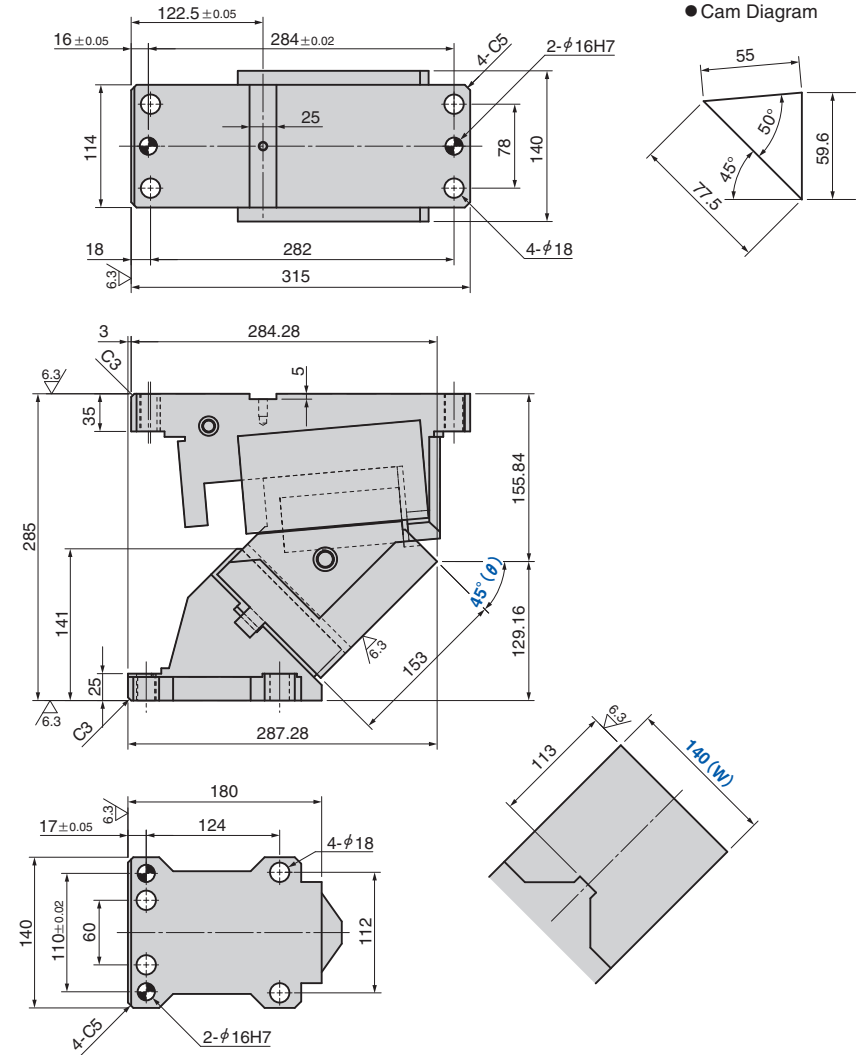
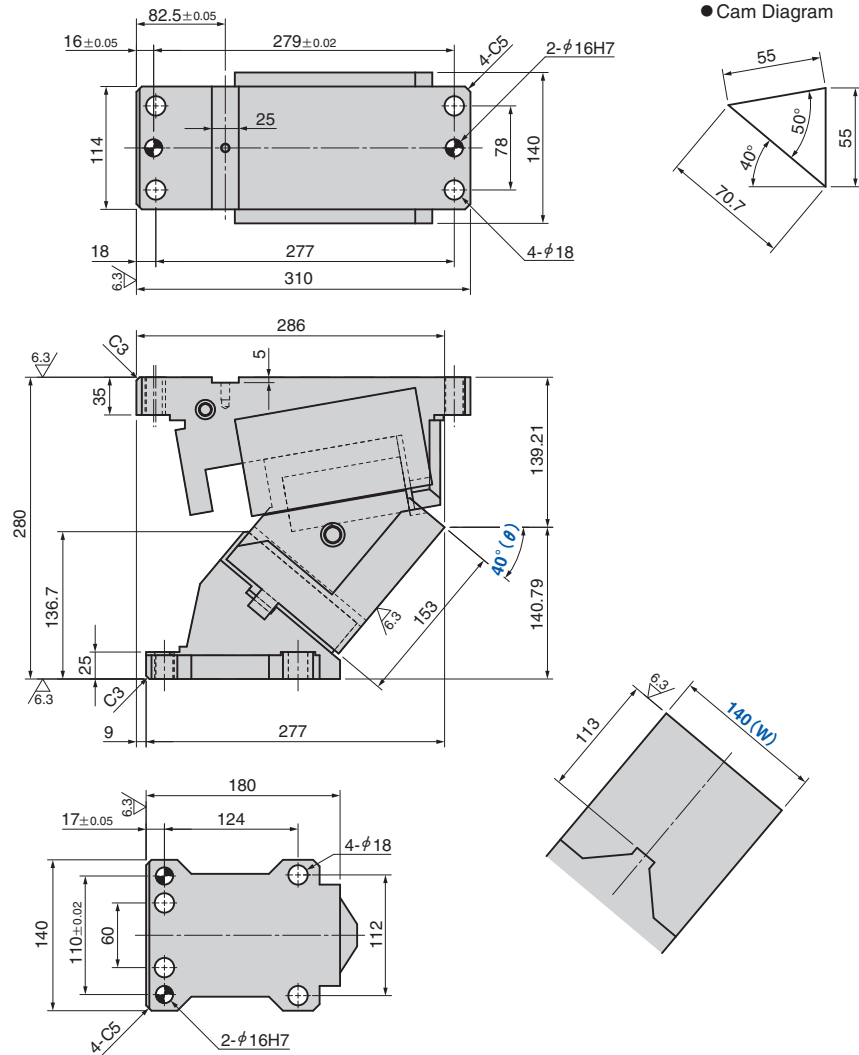
**AERIAL CAM UNIT**

VACYL140-40  
 VACPL140-40  
 VACBL140-40

**CAD FILE**

VACYL140-45  
 VACPL140-45  
 VACBL140-45

**CAD FILE**



▶ 部品表P.393参照。

▶ 部品表P.393参照。

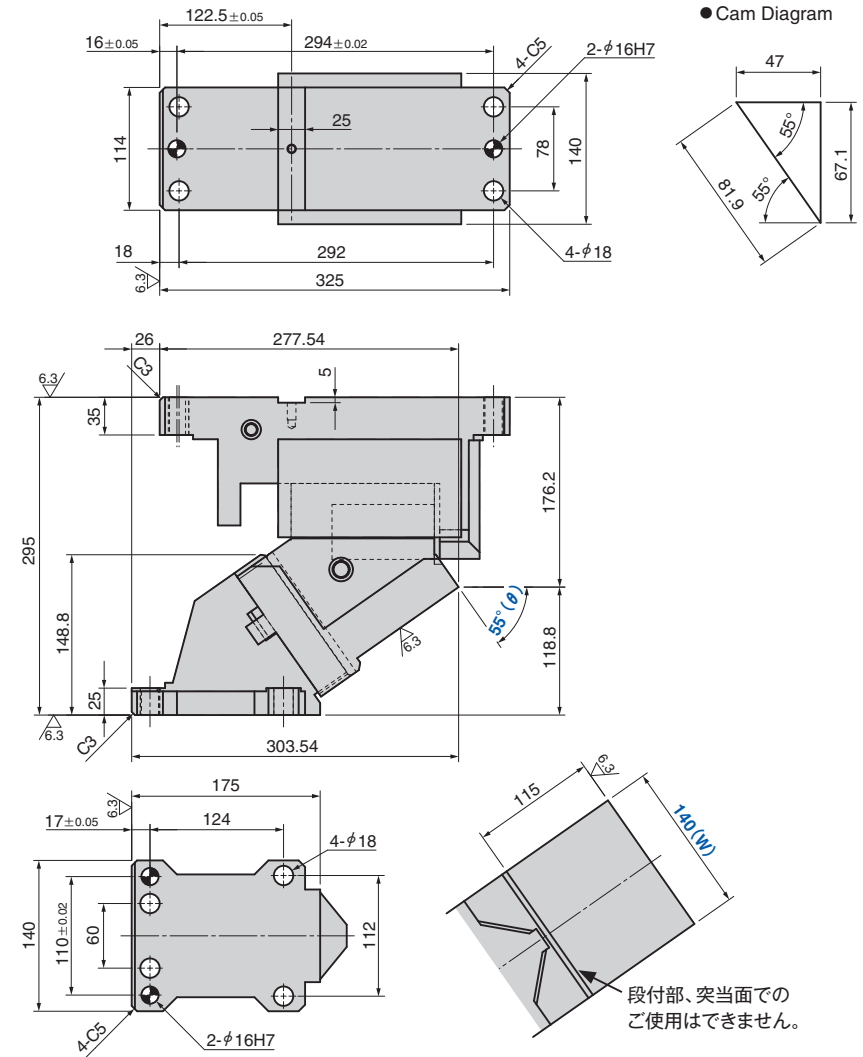
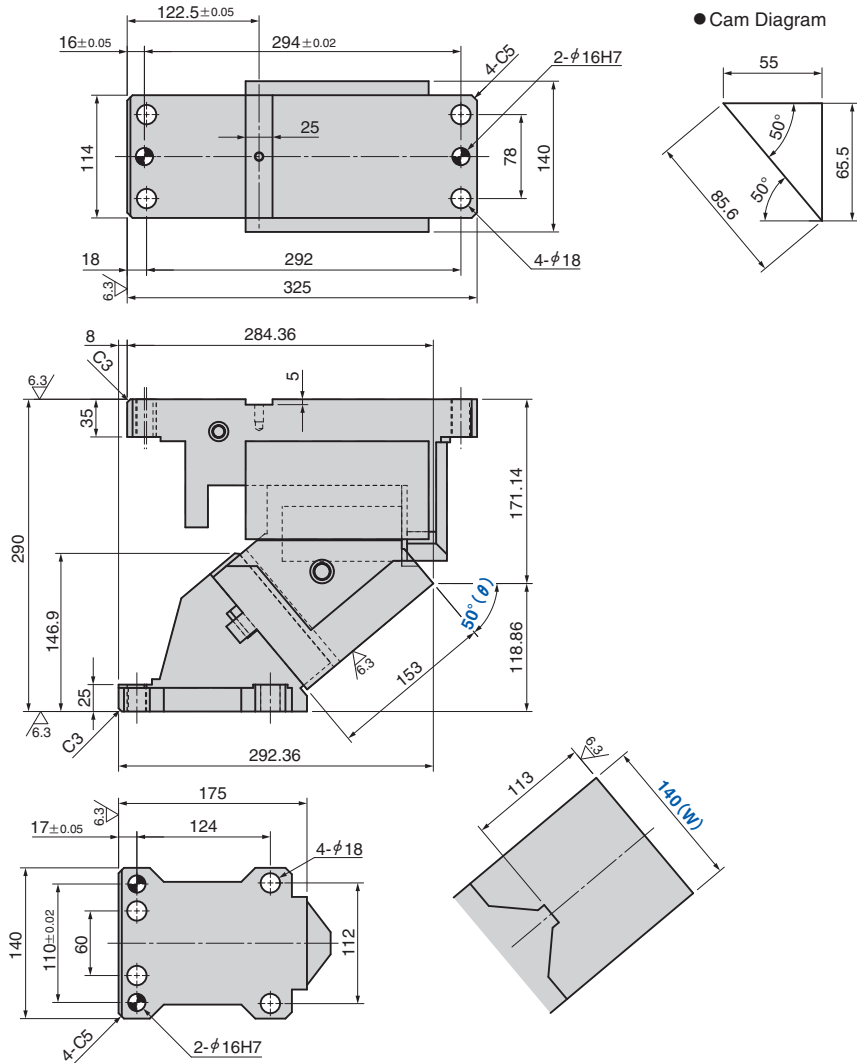
**AERIAL CAM UNIT**

VACYL140-50  
 VACPL140-50  
 VACBL140-50

CAD  
 FILE

VACYL140-55  
 VACPL140-55  
 VACBL140-55

CAD  
 FILE



▶ 部品表P.393参照。

▶ 部品表P.393参照。

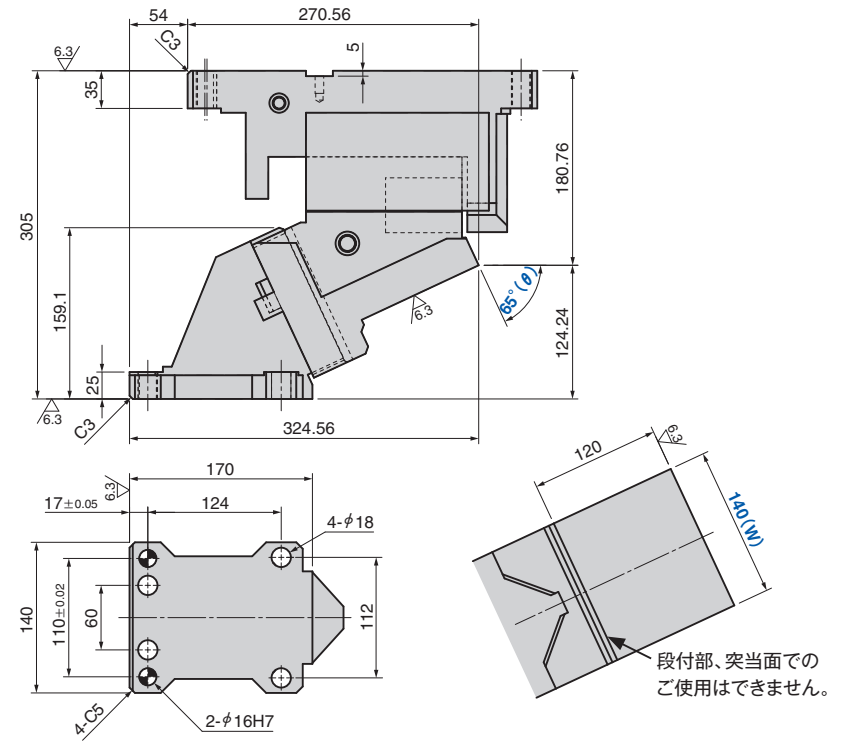
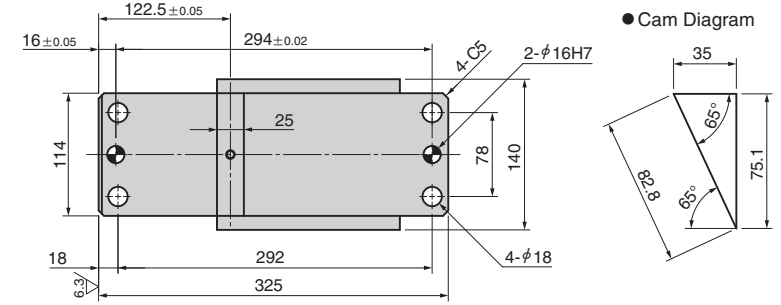
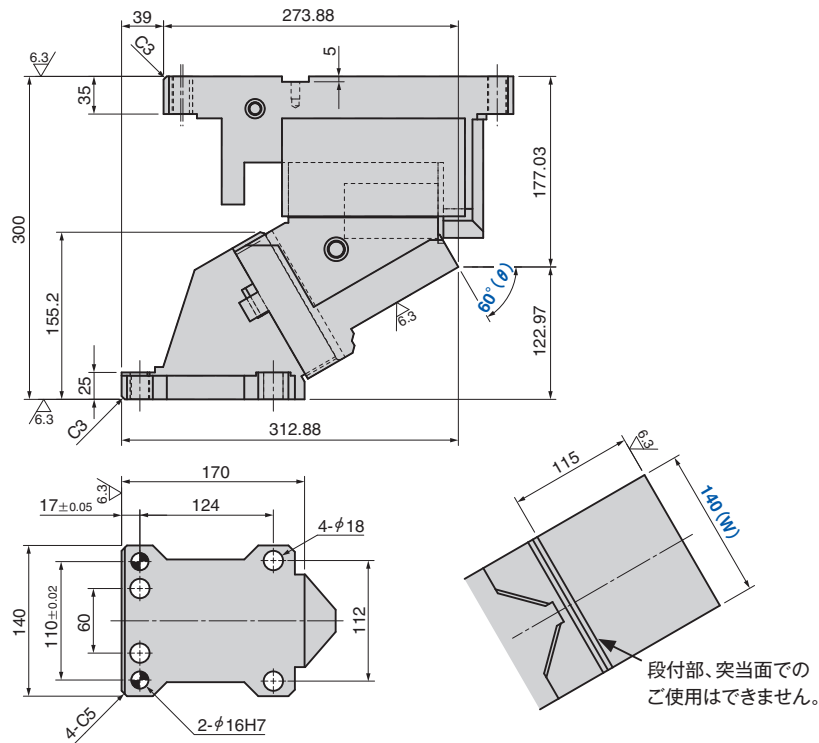
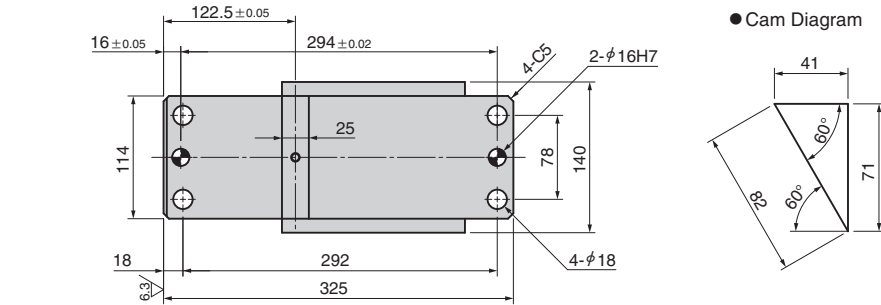
**AERIAL CAM UNIT**

VACYL140-60  
 VACPL140-60  
 VACBL140-60

**CAD FILE**

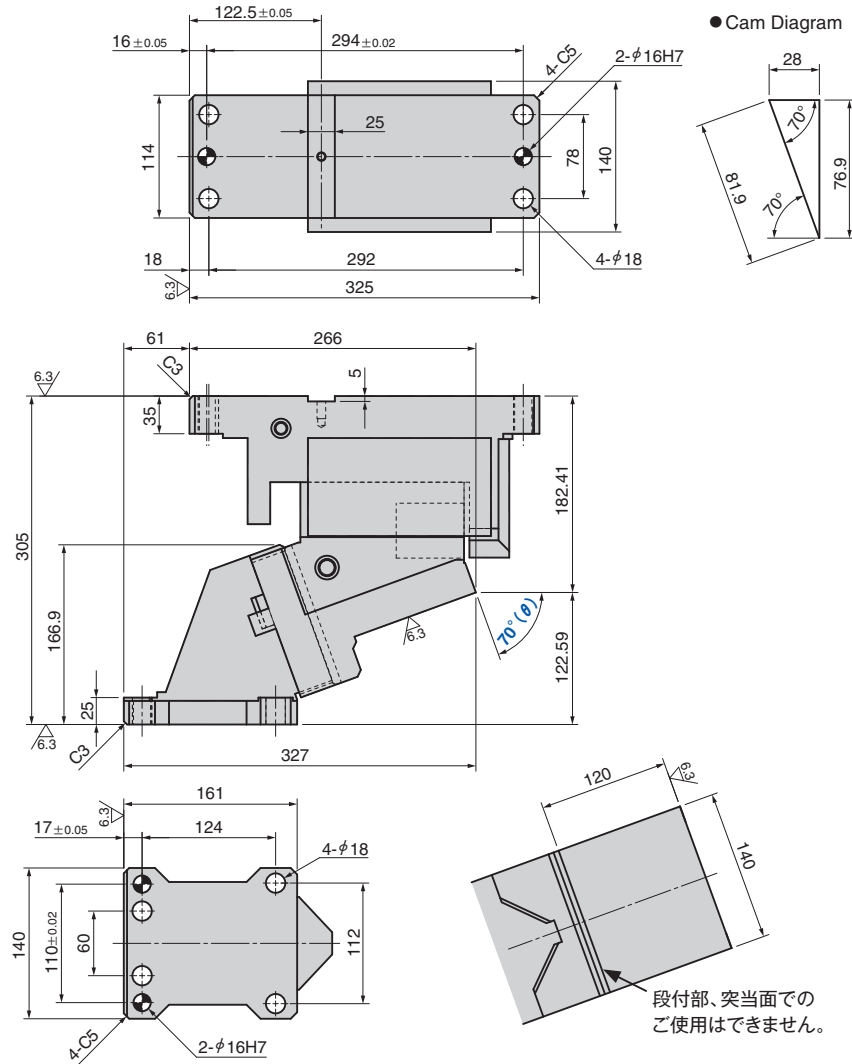
VACYL140-65  
 VACPL140-65  
 VACBL140-65

**CAD FILE**



**AERIAL CAM UNIT**

VACYL140-70  
 VACPL140-70  
 VACBL140-70



120 140  
 6.3  
 段付部、突当面での  
 ご使用はできません。

▶ 部品表P.393参照。