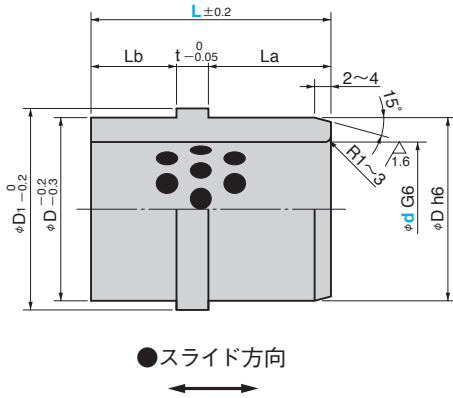


SEGB (ツバ厚 4mm タイプ)
SEGBK (ツバ厚 8mm タイプ)



材質 銅合金 (SP2)
オイルレス加工

*使用雰囲気温度0°~170°C

d G6	D h6	D ₁	La	Lb	t	Catalog No.	d	L
16	+0.017 +0.006	25	30			SEGB	16	26
								28
								33
								38
20	30	0 -0.013	35	10		SEGB	20	26
								28
								33
								38
25	+0.020 +0.007	35	40		4	SEGB	25	26
								28
								33
								38
30	40	0 -0.016	45	15		SEGB	30	33
								38
								43
								48
35	46		50			SEGB	35	38
								43
								48
								53
40	+0.025 +0.009	52	57	20		SEGBK	40	48
								53
								58
								63
50	62	0 -0.019	67			SEGBK	50	48
								53
								58
								63

d G6	D h6	D ₁	La	Lb	t	Catalog No.	d	L
25	35	40	19	6		SEGB	25	33
								38
30	+0.020 +0.007	40	45	29	11	SEGB	30	48
								52
35	42	0 -0.016	47	24	15	SEGB	35	47
								52
40	45		50	39	16	SEGB	40	63
								60
45	50		55	42	20	SEGBK	45	70
								78
50	+0.025 +0.009		60	24	25	SEGBK	50	57
								67
55	55		60	59	21	SEGBK	55	88
								98
60	62	0 -0.019	67	29	30	SEGBK	60	67
								87
65	+0.029 +0.010	74	82	29	30	SEGBK	65	67
								87



Order

Catalog No.	d	L
SEGB	30	43
SEGBK	25	38