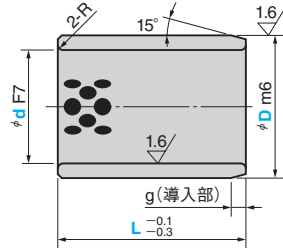


SOB



- 相手軸公差
- d8：一般用（高負荷）
- e7：一般用（軽負荷）
- f7：高精度用
- 推奨穴加工公差 H7

●スライド方向



材質 銅合金 (SP2)  
オイルレス加工

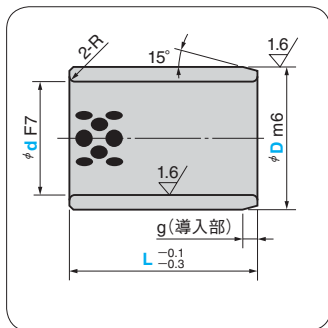


Order

Catalog No. SOB  
d 19 - D 26 - L 20

d F7	D m6	R	g	適用フッシャ	Catalog No.	d	D	L
8	12	0.5	1	-	-	8	12	8
								10
								12
								15
10	14	0.5	1	-	SOBW10	10	14	8
								10
								12
								15
12	18	0.5	1	-	SOBW12	12	18	20
								8
								10
								12
13	19	0.5	2	-	SOBW13	13	19	15
								16
								20
								30
14	20	0.5	1	-	SOBW14	14	20	10
								12
								15
								20
								25
								30

d F7	D m6	R	g	適用フッシャ	Catalog No.	d	D	L
15	21	0.5	1	-	SOBW15	15	21	10
								12
								15
								20
								25
								30
								10
								12
16	22	0.5	1	-	SOBW16	16	22	15
								16
								19
								20
								25
								30
								35
								40
17	23	0.5	1	-	-	17	23	15
								12
								15
								16
18	24	+0.021 +0.008	1	-	SOBW18	18	24	20
								25
								30
								35
19	26	0.5	2	-	SOB	19	26	15
								20
								10
								12
								15
								16
								19
								20
20	28	0.5	2	-	SOBW20	20	28	25
								30
								35
								40
								50
								16
								20
								25
22	30	0.5	2	-	SOBW22	22	30	30
								35
								40
								70
								100
								12
								15
								20
25	33	+0.025 +0.009	1	-	SOBW25	25	33	12
								15
								16
								20
								25
								12
								15
								25
								25
								12
								15
								25

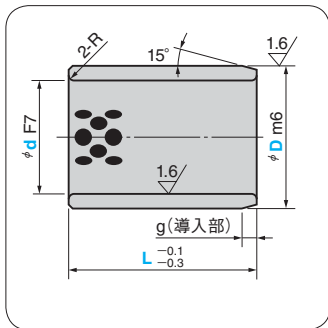


Order

Catalog No. **SOB** **d** - **D** - **L**  
**SOB** **35** - **45** - **25**

d F7	D m6	R	g	適用フッシャ	Catalog No.	d	D	L
								30
								35
	33		2				33	40
								50
								60
								12
25			1	SOBW25		25		15
								16
								20
	35						35	25
								30
			2					35
								40
								50
			1					20
28			2	-		28	38	25
								30
								40
			1	2	SOB			12
	38							15
								20
								25
							38	30
			2					35
								40
								50
30				SOBW30		30		60
								12
			1					15
								20
								25
	40						40	30
								35
			2					40
								50
								60

d F7	D m6	R	g	適用フッシャ	Catalog No.	d	D	L
			1					15
32	42			-		32	42	20
			2					30
								40
			1					20
								25
								30
	44		2				44	35
								40
								50
35				SOBW35		35		60
			1					20
								25
								30
								35
	45		2				45	40
								50
								60
			2					35
								40
								50
								60
38	48			-		38	48	30
								40
			1					15
								20
								25
								30
								35
	50		2				50	40
								50
								60
40			2	SOBW40	SOB	40		60
								70
								80
			1					15
								25
								30
							55	35
								40
								50
								60
								30
								35
								40
								50
								60
								70
								80
								15
								20
								25
								30
								35
								40
								50
								60
								70
								80
								15
								20
								25
								30
								35
								40
								50
								60
								70
								80
								15
								20
								25
								30
								35
								40
								50
								60
								70
								80
								15
								20
								25
								30
								35
								40
								50
								60
								70
								80
								15
								20
								25
								30
								35
								40
								50
								60
								70
								80
								15
								20
								25
								30
								35
								40
								50
								60
								70
								80
								15
								20
								25
								30
								35
								40
								50
								60
								70
								80
								15
								20
								25
								30
								35
								40
								50
								60
								70
								80
								15
								20
								25
								30
								35
								40
								50
								60
								70
								80
								15
								20
								25
								30
								35
								40
								50
								60
								70
								80
								15
								20
								25
								30
								35
								40
								50
								60
								70
								80
								15
								20
								25
								30
								35
								40
								50
								60
								70
								80
								15
								20
								25
								30
								35
								40
								50
								60
								70
								80
								15
								20
								25
								30
								35
								40
								50
								60
								70
								80
								15
								20
								25
								30
								35
								40
								50
								60
								70
								80
								15
								20
								25
								30
								35
								40
								50
								60
								70
								80
								15
								20
								25
								30
								35
								40
								50
								60
								70
								80
								15
								20
								25
								30
								35
								40
								50

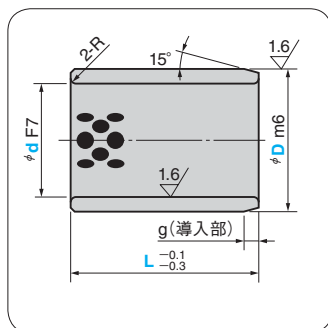


Order

Catalog No. SOB d - D - L  
 SOB 50 - 65 - 80

d F7	D m6	R	g	適用ワッシャ	Catalog No.	d	D	L					
50	60	2	2	SOBW50	SOB	50	60	35					
								40					
		3	3					50					
								60					
								70					
								80					
	62	2	2					30					
								35					
		3	3					40					
								50					
								60					
								70					
65	65	2	2	SOBW55	SOB	55	70	30					
								35					
		3	3					40					
								50					
								60					
								70					
	70	+0.030 +0.011	2					2	SOBW60	SOB	60	75	35
													40
		3	3					50					
								60					
								70					
								80					
74	74	2	2	SOBW65	SOB	74	80	100					
								30					
		3	3					35					
								40					
								50					
								60					
	75	+0.060 +0.030	2					2	SOBW70	SOB	75	85	70
													70
		3	3					80					
								90					
								100					
								120					

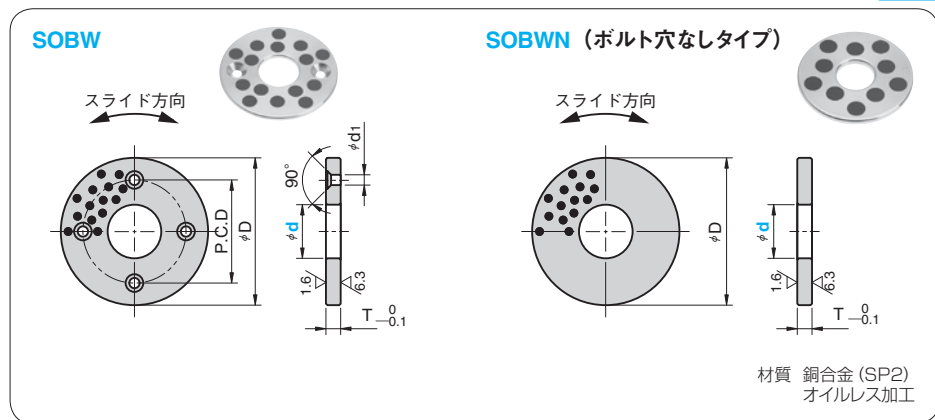
d F7	D m6	R	g	適用ワッシャ	Catalog No.	d	D	L					
63	75	3	3	-	-	63	75	60					
								70					
		2	2					80					
								40					
								50					
								60					
	80	+0.030 +0.011	2					2	SOBW65	SOB	65	80	70
													80
		3	3					30					
								35					
								40					
								50					
70	85	2	2	SOBW70	SOB	70	85	60					
								70					
		3	3					80					
								90					
								100					
								120					
	75	90	3					3	SOBW75	SOB	75	90	50
													60
			2					2					70
													80
													90
													100
95		+0.060 +0.030	2	2	SOBW75	SOB	75	95					60
													70
		3	3	80									
				90									
				100									
				120									
80	96	1	2	SOBW80					SOB	80	100	20	
												2	40
		3	3									50	
												60	
												70	
												80	
	100	+0.035 +0.013	3		3	SOBW80	SOB	80				100	100
													120
		2	2		40								
					50								
					60								
					70								
85	100	3	3	-	-				85	100	80		
											90		
		2	2								100		
											110		
											120		
											140		
	90	110	2			2	SOBW90	SOB			90	110	25
													30
			3			3							30
													40
													50
													60
110		+0.071 +0.036	3	3	SOBW90	SOB			90	110			70
													80
		2	2	90									
				100									
				110									
				120									



Order

Catalog No. **SOB** d **120** - D **140** - L **100**

d F7	D m6	R	g	適用ワッシャ	Catalog No.	d	D	L
		2	2					40
								50
								60
								70
100	120		+0.035 +0.013	SOBW100		100	120	80
								90
								100
								120
								140
								50
110	130			—		110	130	70
								80
								100
								120
								70
								80
120	140	3		SOBW120	<b>SOB</b>	120	140	90
								100
								120
								140
								100
125	145		+0.040 +0.015			125	145	120
								80
130	150					130	150	100
								130
140	160			—		140	160	100
								140
150	170					150	170	80
		4						100
								150
160	180	3				160	180	80
								100
								150



材質 銅合金 (SP2)  
オイルレス加工



Order

Catalog No. **SOBW** d (呼び) **10**

d (実寸)	D	T	ボルト取付穴			Catalog No.	d (呼び)
			P.C.D	個数	使用皿ネジ		
10.2	30		20				10
12.2							12
13.2	40		28				13
14.2		3			M3	3.5	14
15.2							15
16.2							16
18.2	50		35	2			18
20.2							20
25.2	55		40				25
30.2	60	5	45		M5	6	30
35.2	70		50				35
40.2	80		60				40
45.3	90	7	67.5		M6	7	45
50.3	100		75				50
55.3	110	8	85				55
60.3	120		90				60
65.3	125		95				65
70.3	130		100	4	M8	9	70
75.3	140		110				75
80.3	150	10	120				80
90.5	170		140				90
100.5	190		160		M10	11	100
120.5	200		175				120

■ボルト穴なしタイプ

d (実寸)	D	T	Catalog No.	d (呼び)
10.2	30			10
12.2	40	3		12
16.2	50		<b>SOBWN</b>	16
20.2	50			20
25.2	55	5		25



Order

Catalog No. **SOBWN** d (呼び) **10**