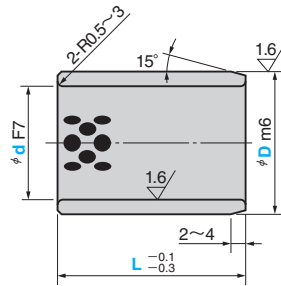


SOB



- 相手軸公差  
d8 : 一般用 (高負荷)  
e7 : 一般用 (軽負荷)  
f7 : 高精度用
- 推奨穴加工公差 H7

●スライド方向



材質 銅合金 (SP2)  
オイルレス加工

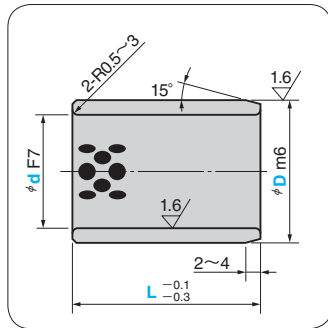
\*使用雰囲気温度0~170℃

Order 

Catalog No.	d	-	D	-	L
SOB	35	-	45	-	25

d F7	D m6	Catalog No.	d	D	L
8	12	SOB	8	12	8
					10
					12
					15
10	14	SOB	10	14	8
					10
					12
					15
12	18	SOB	12	18	20
					8
					10
					12
13	19	SOB	13	19	15
					10
					12
					15
14	20	SOB	14	20	10
					12
					15
					20

d F7	D m6	Catalog No.	d	D	L
15	21	SOB	15	21	10
					12
					15
					16
					20
					25
16	22	SOB	16	22	10
					12
					15
					16
					19
					20
17	23	SOB	17	23	25
					30
					35
					40
					15
					12
18	24	SOB	18	24	16
					20
					25
					30
					35
					40
19	26	SOB	19	26	15
					20
					10
					12
					15
					16
20	28	SOB	20	28	19
					20
					25
					30
					35
					40
22	32	SOB	22	32	50
					16
					20
					25
					30
					35
25	33	SOB	25	33	12
					15
					20
					25
					12
					15

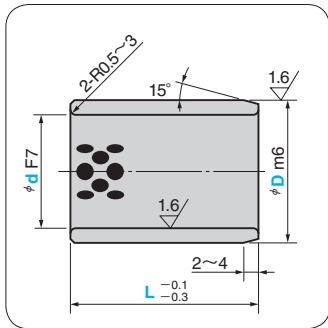


Order

Catalog No. SOB    d 35    -    D 45    -    L 25

d F7	D m6	Catalog No.	d	D	L
					30
					35
	33			33	40
					50
					60
					12
			25		15
25					16
					20
	35			35	25
					30
					35
					40
					50
					20
			28		25
					30
		SOB			40
					12
					15
	38			38	20
					25
					30
					35
					40
					50
			30		60
					12
					15
					20
					25
					30
	40			40	35
					40
					50
					60
					30
31.5			31.5		40
					30
32	42		32	42	20

d F7	D m6	Catalog No.	d	D	L
32	42		32	42	30
					40
					20
					25
				44	30
					35
					40
					50
35			35		60
					20
					25
					30
				45	35
					40
					50
					60
					30
38	48		38	48	40
					15
					20
					25
					30
				50	35
					40
					50
40			40		60
					70
		SOB			80
					15
					25
					30
					35
					40
					50
					60
					30
				55	50
					60
					30
					35
					40
					50
					60
					30
					35
					40
					50
					60
					70
					80
					20
50			50		30



Order

Catalog No. SOB    d 50    -    D 65    -    L 80

d F7	D m6	Catalog No.	d	D	L
					35
					40
	60			60	50
					60
					70
					80
					30
					35
50	62		50	62	40
					50
					60
					70
					30
					40
	65			65	50
					60
					70
					80
					100
		SOB			30
					35
55	70		55	70	40
					50
					60
					70
					30
					35
	74			74	40
					50
					60
					70
60			60		80
					100
					30
					35
	75			75	40
					50
					60
					70
					80

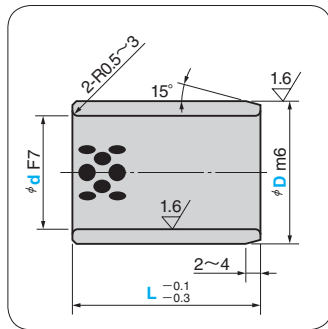
d F7	D m6	Catalog No.	d	D	L
60			60		100
					60
63	75		63	75	70
					80
					40
					50
65	80		65	80	60
					70
					80
					30
					35
					40
					50
					60
					70
70	85		70	85	50
					60
					70
					80
					50
					60
					70
	90			90	50
					60
					70
					80
75	95		75	95	60
					70
		SOB			80
					100
					40
					50
					60
					70
					80
					100
					120
80			80		40
					50
					60
					70
					80
					100
					120
					140
85			85		60
					80
					30
					50
					60
90	110		90	110	70
					80
					90
					100



# 汎用ガイドブッシュ ストレートタイプ

BUSH

CAD FILE



Order

Catalog No. SOB    d 120    -    D 140    -    L 100

d F7	D m6	Catalog No.	d	D	L
90	110	SOB	90	110	120
					50
					60
					70
					80
					100
					120
					140
					50
					70
					80
					100
					120
					70
					80
100	120	SOB	100	120	90
					100
					120
					140
					50
					70
					80
					100
					120
					140
					100
					120
					140
					80
					100
110	130	SOB	110	130	80
					100
					120
					70
					80
					100
					120
					140
					100
					120
					140
					80
					100
					130
					100
120	140	SOB	120	140	100
					120
					140
					100
					120
					140
					80
					100
					120
					140
					100
					120
					140
					80
					100
125	145	SOB	125	145	100
					120
					80
					100
					130
					100
					140
					80
					100
					150
					80
					100
					150
					80
					100
130	150	SOB	130	150	100
					130
					100
					130
					100
					140
					80
					100
					150
					80
					100
					150
					80
					100
140	160				SOB
		80			
		100			
		150			
		80			
		100			
		150			
		80			
		100			
		150			
		80			
		100			
		150			
		80			
		100			
150	170	SOB	150	170	100
					80
					100
					150
					80
					100
					150
					80
					100
					150
					80
					100
					150
					80
					100
160	180	SOB	160	180	100
					80
					100
					150
					80
					100
					150
					80
					100
					150
					80
					100
					150
					80
					100



# 汎用ガイドブッシュ フランジタイプ

BUSH

CAD FILE

SOBF

●スライド方向

●相手軸公差  
 一般用(高負荷) d8  
 一般用(軽負荷) e7  
 高精度用 f7  
 ●推奨穴加工公差 H7

材質 銅合金 (SP2)  
 オイルレス加工

\*使用雰囲気温度0°~170°C



Order

Catalog No. SOBF    d 35    -    D 45    -    L 25

d E7	D r6	D1	t	L	Catalog No.	d	D	L		
8	12		20	10	SOBF	8	12	10		
				15				15		
10	14	+0.034 +0.023	22	2				12	14	12
				15				15		
				17				17		
12	18		25					20	18	20
				15				15		
				20				20		
13	19		26					25	19	25
				15				15		
14	20		27					20	20	20
				15				15		
15	21		28	3				25	21	25
								20	20	
								25	25	
					30	30				
					15	15				
					18	18				
16	22	+0.041 +0.028	29		20	22	20			
					23	23				
					25	25				
					30	30				
					35	35				
					40	40				
18	24		32		20	24	20			
					30	30				
					15	15				
20	30		40	5	20	30	20			
					25	25				
					30	30				
					35	35				
					40	40				