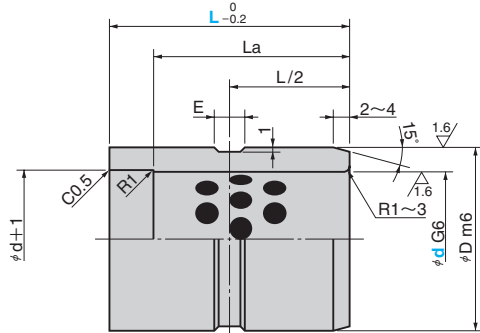


RGB



●スライド方向



材質 銅合金 (SP2)
オイルレス加工

*使用雰囲気温度0°~170°C

d G6	D m6	La	E	Catalog No.	d	L
12	18	+0.018 +0.007	4	RGB	12	9
						14
						19
						24
16	25	+0.017 +0.006	6	RGB	16	14
						19
						24
						29
20	30	+0.021 +0.008	4	RGB	20	14
						19
						24
						29
25	35	+0.025 +0.009	8	RGB	25	34
						39
						49
						59

d G6	D m6	La	E	Catalog No.	d	L
30	42	+0.020 +0.007	8	RGB	30	29
						34
						39
						49
35	48	+0.025 +0.009	8	RGB	35	59
						60
						29
						34
40	55	+0.025 +0.009	8	RGB	40	39
						49
						59
						69
50	70	+0.030 +0.011	10	RGB	50	79
						89
						90
						99
60	80	+0.029 +0.010	10	RGB	60	59
						69
						79
						89
80	100	+0.035 +0.013	10	RGB	80	90
						99
						109
						119



Order

Catalog No.

d

L

RGB

25

39