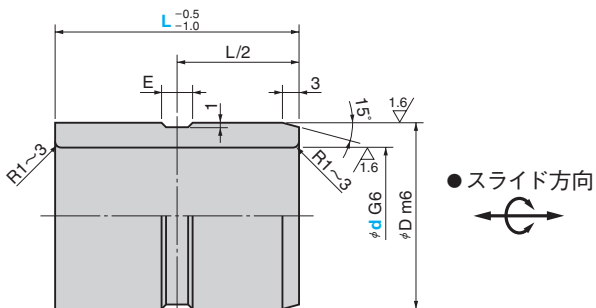


HGB



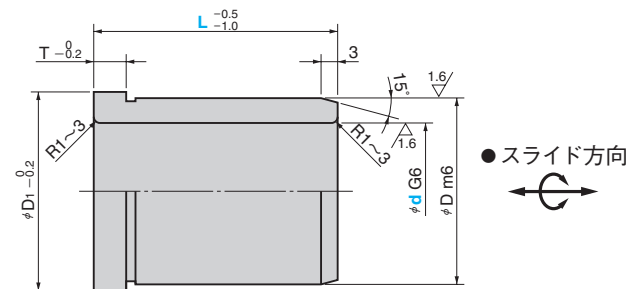
*使用雰囲気温度0°~400°C

材質 銅系粉末焼結 (#200H)

d G6	D m6	E	Catalog No.	d	L
20	30	+0.021 +0.008	HGB	20	25
					30
					35
					40
25	35	+0.020 +0.007	HGB	25	25
					30
					35
30	42	+0.025 +0.009	HGB	30	35
					40
					40
35	48	+0.025 +0.009	HGB	35	35
					40
40	55	+0.030 +0.011	HGB	40	40

Order **Catalog No.** **HGB** **d** **25** - **L** **40**

HGBF



*使用雰囲気温度0°~400°C

材質 銅系粉末焼結 (#200H)

d G6	D m6	D1	T	Catalog No.	d	L
20	30	+0.021 +0.008	35	HGBF	20	25
						30
						35
						40
25	35	+0.020 +0.007	40	HGBF	25	25
						30
						35
30	42	+0.025 +0.009	47	HGBF	30	35
						40
						40
35	48	+0.025 +0.009	54	HGBF	35	35
						40
40	55	+0.030 +0.011	61	HGBF	40	40

Order **Catalog No.** **HGBF** **d** **30** - **L** **40**