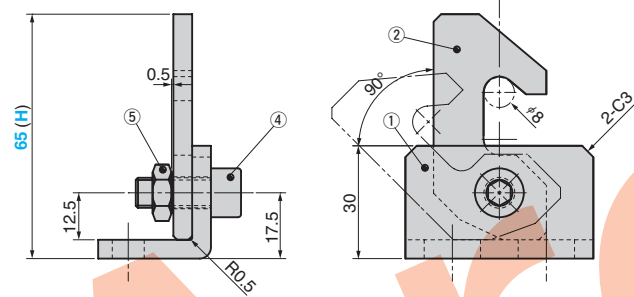
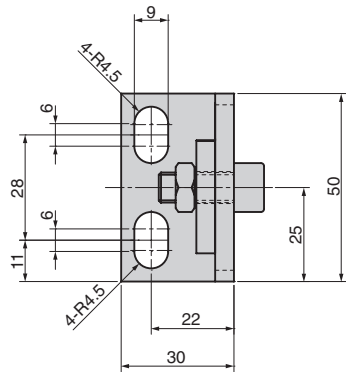


# Stopper For Scrap Chute

STOPPER FOR SCRAP CHUTE

CAD  
FILE

SKHS (Side mounting type)



SKHU (Upper mounting type)

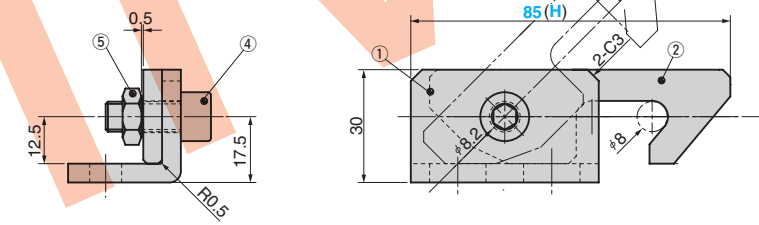
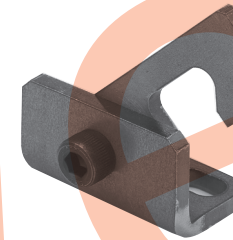
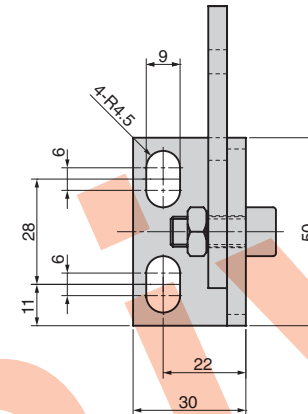


Table of Components

No.	Description	Qty	Material and Remark
①	Base	1	SPCC 30×30×5
②	Hook	1	SPCC t=5
④	Bolts with Hexagonal Socket Head	1	M8×20
⑤	Nut	1	M8

Side Mounting Type

Catalog No.	H
SKHS	65



Order

Catalog No.	H
SKHS	65

Upper Mounting Type

Catalog No.	H
SKHU	85



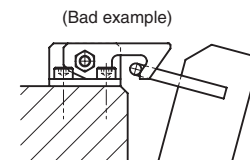
Order

Catalog No.	H
SKHU	85

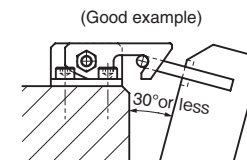


Example ☉ Quick storage is available.

●SKHU

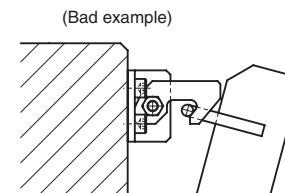


(Bad example)

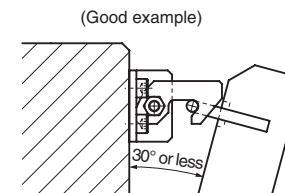


(Good example)

●SKHS



(Bad example)



(Good example)



Adjust the hook mounting position so that the hook center may be aligned with the round rod center.

Install it so that the angle between the chute and the die surface may be 30° or less in storage.