

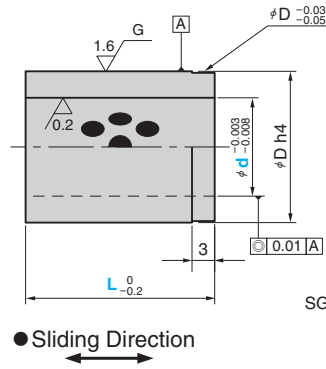
Stripper Guide Bushing

FOR STRIPPER PLATE

CAD
FILE

■ Straight Type

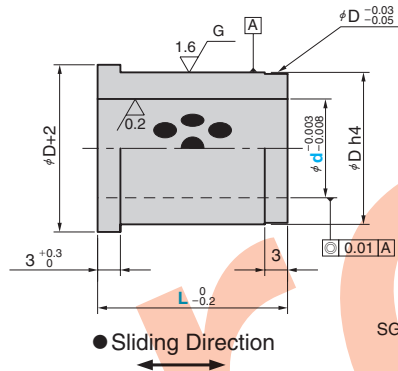
SGSW (Bronze Type)



SGSW Material
Bronze with Graphite
(SO#50 SP2)

■ Flange Type

SGFW (Bronze Type)



SGFW Material
Bronze with Graphite
(SO#50 SP2)

Catalog No.	d	D	h4
SGSW	16	24	$0^{-0.006}$
SGFW	20	28	$0^{-0.007}$
	25	34	

Catalog No.	d	L
		20
	16	25
		30
		35
SGSW	20	20
		25
		30
		35
		20
	25	25
		30
		35
		40

Catalog No.	d	L
		20
	16	25
		30
		35
SGFW	20	20
		25
		30
		35
		20
	25	25
		30
		35
		40



Order

Catalog No.	d	L
SGSW	16	30
SGFW	16	25