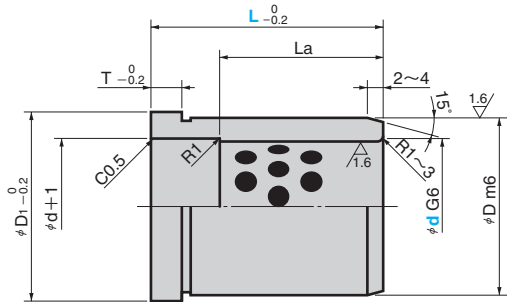


RGBF



● Sliding Direction



Material : Bronze with Graphite(SO#50 SP2)

*Operation ambient temperature: 0 to 170°C

d G6	D m6	D1	T	La	Catalog No.	d	L
12	18	+0.018 +0.007	25	4	19	12	19
					24		24
					29		29
					34		34
16	25	+0.017 +0.006	30	6	19	16	19
					24		24
					29		29
					30		34
20	30	+0.021 +0.008	35	8	30	20	39
					34		24
					39		29
					40		34
25	35	+0.025 +0.009	40	8	24	25	24
					29		29
					34		34
					39		39
30	42	+0.020 +0.007	47	10	49	30	49
					59		59
					60		69
					69		79
35	48	+0.025 +0.009	54	10	39	35	39
					49		49
					59		59
					69		69
40	55	+0.025 +0.009	61	12	69	40	69
					79		79
					80		89
					89		99
50	70	+0.030 +0.011	76	12	49	50	49
					59		59
					69		69
					79		79
60	80	+0.029 +0.010	86	15	89	60	89
					90		99
					109		109
					110		119
							129
							149

d G6	D m6	D1	T	La	Catalog No.	d	L
30	42	47	10	29	RGBF	30	29
				34			34
				39			39
				49			49
35	48	54	10	59	RGBF	35	59
				60			69
				69			79
				79			89
40	55	61	12	69	RGBF	40	69
				79			79
				80			89
				89			99
50	70	76	12	99	RGBF	50	99
				109			109
				119			119
				129			129
60	80	86	15	149	RGBF	60	149
				159			159
				169			169
				179			179



Order

Catalog No. d - L

RGBF 35 - 49