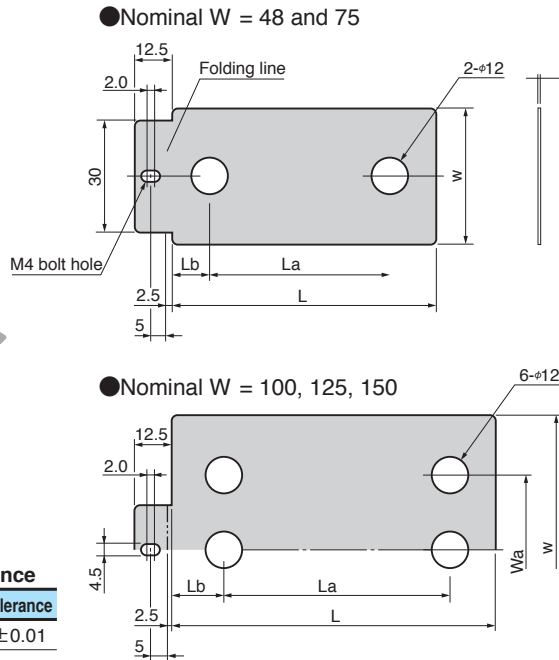


Shim Plate

FOR SLIDE PLATE

RoHS

SHMS



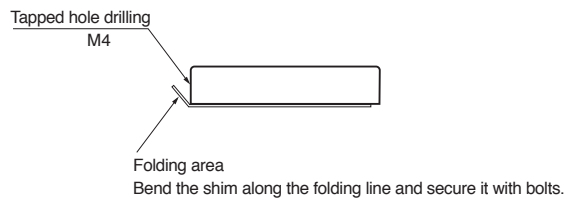
T tolerance	
T	tolerance
0.05	±0.01
0.1 0.2	±0.02
0.3	

Material : SUS304 (11 A 304)

For Operation

- This is common for wear plate thickness of 10 and 20 mm, and 2 and 4 holes.
- Drill tapped holes (M4) on the wear plate at the folding area so that the shim plate will not be lost.

EX Example



Wa	La	Lb	w	L	Catalog No.	Nominal (Slide plate)		Thickness T
						W	L	
	45	12.5		70			75	
	50			95			100	
	75		38	120		48	125	
	100			145			150	
	150			195			200	
	25			70			75	
	50			95			100	
	75		65	120		75	125	0.05
	100			145			150	
	150			195			200	
	50			95	SHMS		100	0.1
	75			120			125	0.2
	100	22.5	90	145		100	150	0.3
	150			195			200	
50	200			245			250	
	75			120			125	
	100			145			150	
	150		115	195		125	200	
	200			245			250	
100	100			145			150	
	150		140	195	150	200		
	200			245		250		



Order

Catalog No. SHMS W 48 - L 125 - T 0.1

For Order:

When ordering the 0.05 or the 0.1 shim plate sizes, the quantity of shim plates shipped is 10 per size. Single plates each can be ordered for 0.2 and 0.3 shim plates.