

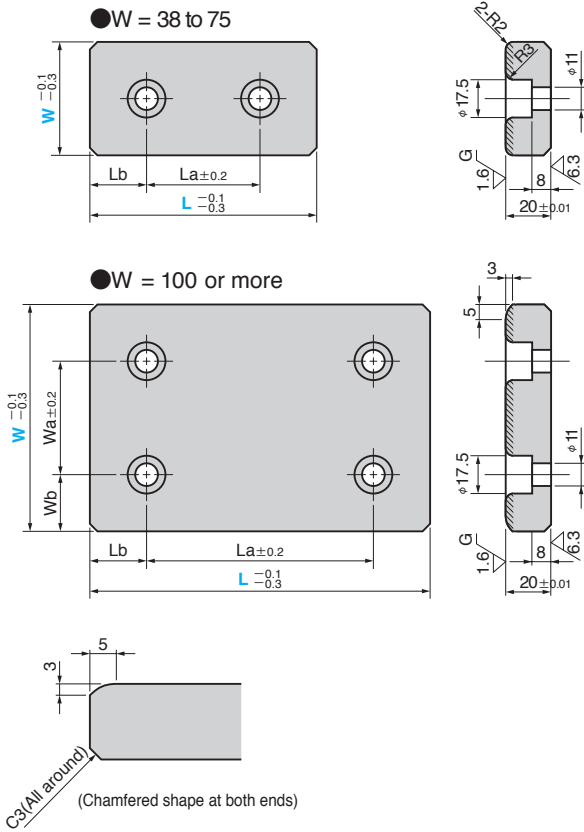
Slide Plate

Thickness 20 mm

STEEL TYPE

RoHS

SCLSP



Material : S45C (I) C45 (A) 1045
 Hardness: HRC55 or more
 Area to be Induction Hardened
 (Hatched Area)

Wa	Wb	La	Lb	Catalog No.	W	L
		45	15			75
		50	25		38	100
		100				150
		45	15			75
		50				100
		75			48	125
		100				150
-	-	150				200
		200				250
		25				75
		50				100
		75			75	125
		100		SCLSP		150
		150				200
		200				250
		50	25			100
		75				125
	25	100			100	150
		150				200
50		200				250
		75				125
	37.5	100			125	150
		150				200
		200				250
		100				150
100	25	150			150	200
		200				250



Order

Catalog No. **SCLSP** W **38** - L **75**

■ We are ready to accept requests or orders for special parts.