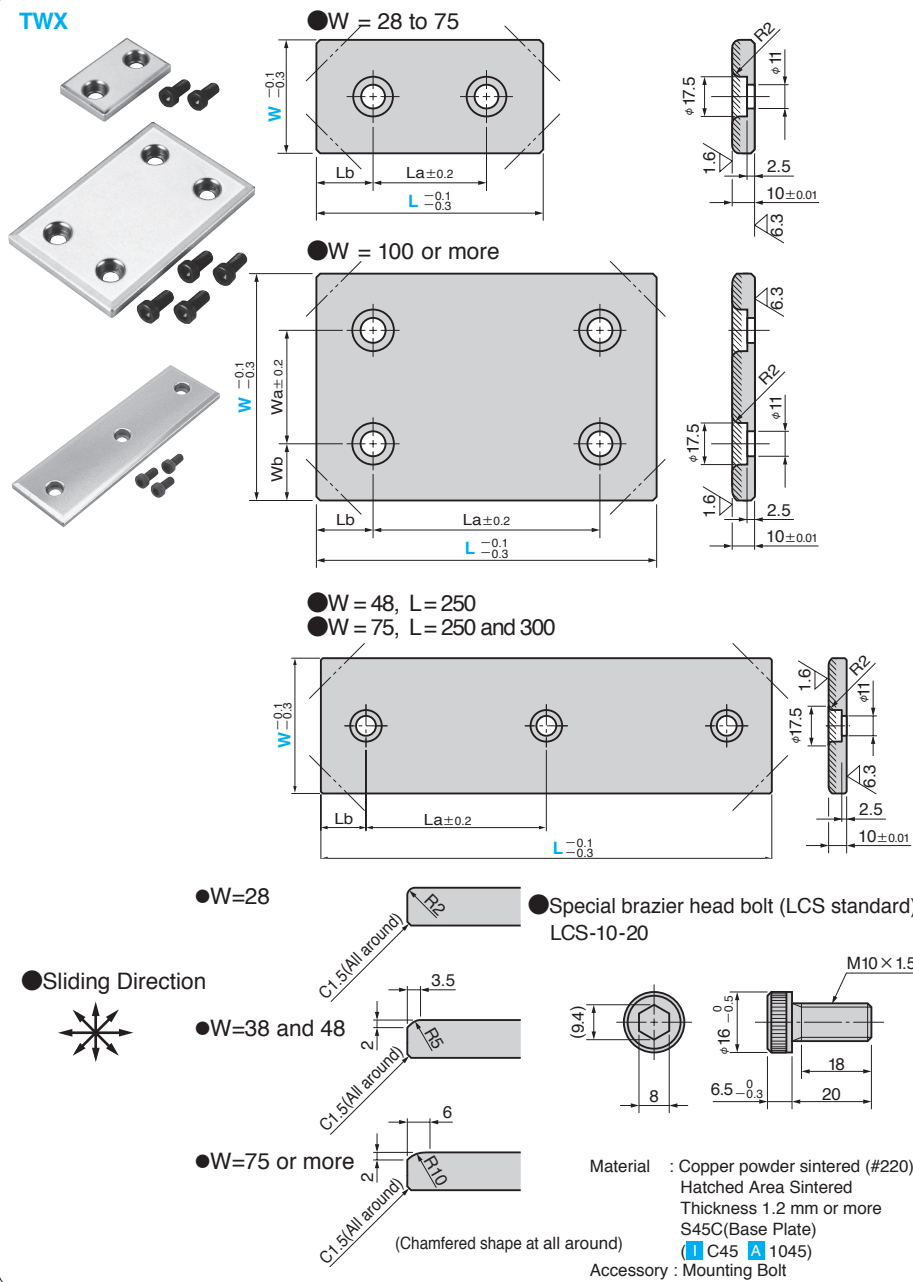


TWX



Wa	Wb	La	Lb	Catalog No.	W	L
		45	15		28	75
		50				100
		75	25			125
		100				150
		45	15		38	75
		50				100
		75	25			125
		100				150
		45	15		48	75
		50				100
		75	25			125
		100	50			150
		25				200
		50				250
		75	25	TWX	75	75
		100				100
		150				150
		100	50			200
		100				250
		100	50			300
		50				100
		75				125
50	25	100	25		100	150
		150				200
		200	50			250
		75				300
75		75				125
		100				150
50	37.5	150	25		125	200
		200	50			250
		100				300
100	25	150	25		150	200
		200				250



Order

Catalog No. TWX 38 - 150



Option

Option Code	Specification
CM	With chamfering on corners for relief (4 corners). Please instruct chamfering (ex. CM17 (6 ≤ C < W/2, Max C17) size when ordering.

• CM Specification



Order

TWX 75 - 100 - CM17