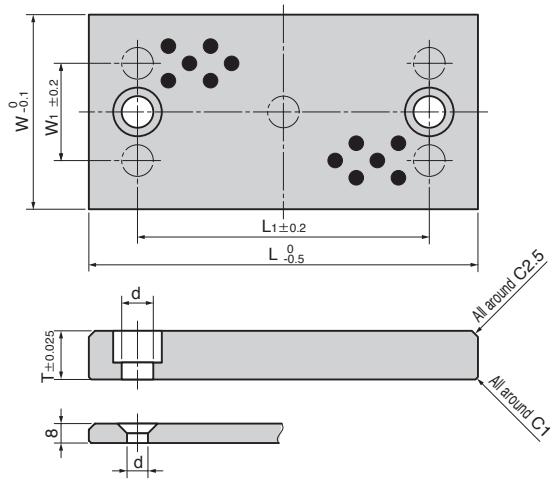
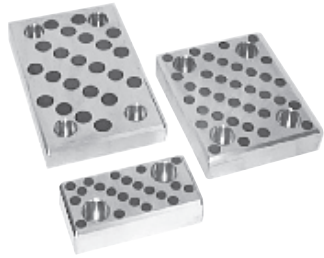


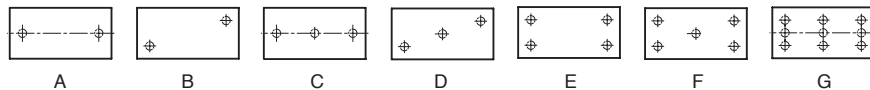
SOD



Material : Bronze with Graphite (SO#50 SP2)

●Hole Pattern

Screw holes position is different in each Catalog No. Please specify Hole Pattern mark and refer right specification table.



●Sliding Direction

Sliding Direction is different in each Catalog No. Please specify Sliding Direction mark and refer right specification table.



T	W	W <sub>1</sub>	L <sub>1</sub>	L	Number of Screw	Mounting Bolt	Hole Pattern	Sliding Direction	Catalog No.
8	40	-	60	100	2	M8	A	S-1	<a href="#">SOD-301</a>
			120	160	3		A		<a href="#">SOD-302</a>
			210	250	3		C		<a href="#">SOD-303</a>
12	30	-	60	100	2	M8	A	S-1	<a href="#">SOD-304</a>
			120	160	3		A		<a href="#">SOD-305</a>
12	40	-	60	100	2	M8	A	S-1	<a href="#">SOD-307</a>
			120	160	2		A		<a href="#">SOD-308</a>
			210	250	3		C		<a href="#">SOD-309</a>
12	80	40	60	100	2	M8	B	S-2	<a href="#">SOD-310</a>
			120	160	4		E		<a href="#">SOD-311</a>
			210	250	5		F		<a href="#">SOD-312</a>
16	40	-	60	100	2	M10	A	S-1	<a href="#">SOD-313</a>
			120	160	3		A		<a href="#">SOD-314</a>
			210	250	3		C		<a href="#">SOD-315</a>
16	60	30	60	100	2	M10	B	S-2	<a href="#">SOD-316</a>
			120	160	3		B		<a href="#">SOD-317</a>
			210	250	3		D		<a href="#">SOD-318</a>
16	100	60	60	100	2	M10	B	S-2	<a href="#">SOD-319</a>
			120	160	4		E		<a href="#">SOD-320</a>
			210	250	6		G		<a href="#">SOD-321</a>
20	50	20	60	100	2	M12	B	S-1	<a href="#">SOD-322</a>
			120	160	3		B		<a href="#">SOD-323</a>
			210	250	3		D		<a href="#">SOD-324</a>
20	80	40	60	100	2	M12	B	S-2	<a href="#">SOD-325</a>
			120	160	4		E		<a href="#">SOD-326</a>
			210	250	5		F		<a href="#">SOD-327</a>
20	125	85	60	100	4	M12	E	S-2	<a href="#">SOD-328</a>
			120	160	4		E		<a href="#">SOD-329</a>
			210	250	6		G		<a href="#">SOD-330</a>



Order

Catalog No.

[SOD-315](#)