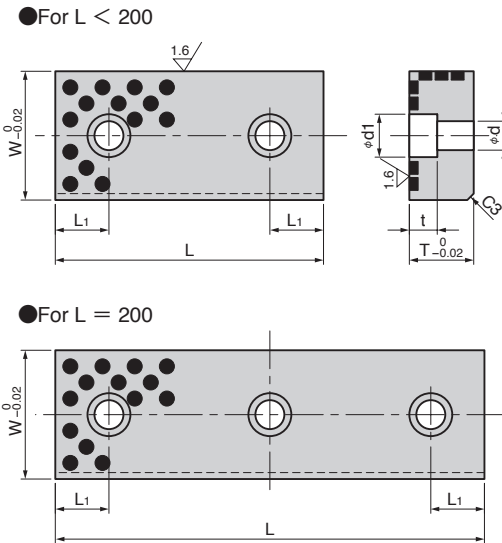
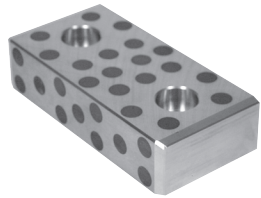
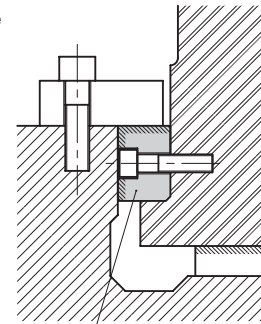


VG2 (VDI 3357 Type)



Material : Bronze with Graphite (SO#50SP2)

**EX** Example



Slide Guide Plate VG2

| Catalog No. | W  | L   | T  | L <sub>1</sub> | d    | d <sub>1</sub> | t    | Recommended mounting bolt<br>DIN EN ISO4762 |
|-------------|----|-----|----|----------------|------|----------------|------|---|
| VG2-301     | 25 | 110 | 12 |                | 9    | 15             | 8.5  | M8×20                                       |
| VG2-302     |    | 120 |    |                |      |                |      |   |
| VG2-311     | 25 | 110 | 15 |                | 11   | 18             | 10.5 | M10×25                                      |
| VG2-312     |    | 120 |    |                |      |                |      |   |
| VG2-321     | 60 | 125 | 30 | 25             | 13.5 | 20             | 13   | M12×35                                      |
| VG2-322     |    | 160 |    |                |      |                |      |   |
| VG2-323     | 60 | 200 | 40 |                |      |                |      | M12×45                                      |
| VG2-331     |    | 125 |    |                |      |                |      |   |
| VG2-332     |    | 160 |    |                |      |                |      |   |
| VG2-333     |    | 200 |    |                |      |                |      |   |



Order

Catalog No.

VG2-322