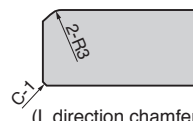
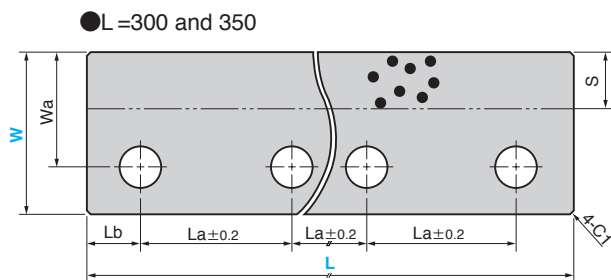
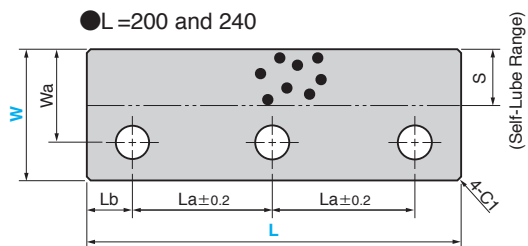
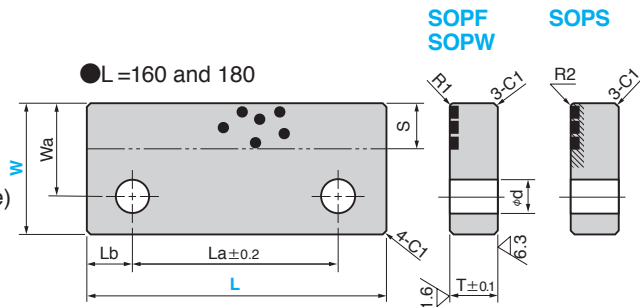
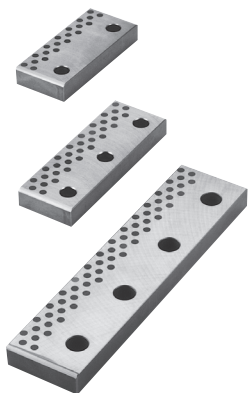


SOPF
(FC with Graphite Type)

SOPS
(Steel Hardened with Graphite Type)

SOPW
(Bronze with Graphite Type)



● Sliding Direction



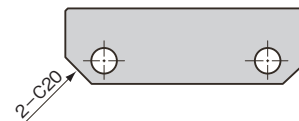
Material :
 SOPF FC250 with Graphite
 (I 185-88E A A48-83)
 SOPS S45C with Graphite
 (I 45C A 1045)
 Hardness: HRC40 or more
 Area to be Induction Hardened
 (Hatched Area)
 SOPW Bronze with Graphite
 (SO#50 SP2)

T	Wa	La	Lb	d	S	Number of Bolt Hole	Catalog No.	W	L	
25	37.5	120	30	18	24	2	SOPF	55	180	
		110	25		25			70	160	
		50	75		30	30		200	240	
	60	75	25		22	30		3	200	
		90	30						240	
		80	30						300	
28	60	90	40	22	30	4	SOPS	85	240	
		75	25					200		
		90	30					350		
	70	90	30		30	3		3	100	240
		80	30						300	
		90	40						350	
25	50	110	25	18	25	2	SOPW	70	160	
		75	25		25			200		
		90	30		30	240				
	60	75	25		22	30		3	200	
		90	30						240	
		80	30						300	
28	60	90	40	22	30	4	SOPS	85	300	
		75	25					200		
		90	30					240		
	70	90	30		30	3		3	100	240
		80	30						300	
		90	40						350	
25	50	110	25	18	25	2	SOPW	70	160	
		75	25		25			200		
		90	30		30	240				
	60	75	25		22	30		3	200	
		90	30						240	
		80	30						300	
28	60	90	40	22	30	4	SOPS	85	300	
		80	30					240		
		90	40					350		



Option Code	Specification
CM	With chamfering (C20) on corners for relief (2 corners). Please instruct CM20 when ordering.

• CM Specification



Order **SOPS 85 - 200 - CM20**

Order **Catalog No. SOPF** **W 70** - **L 160**

■ We are ready to accept requests or orders for special parts.