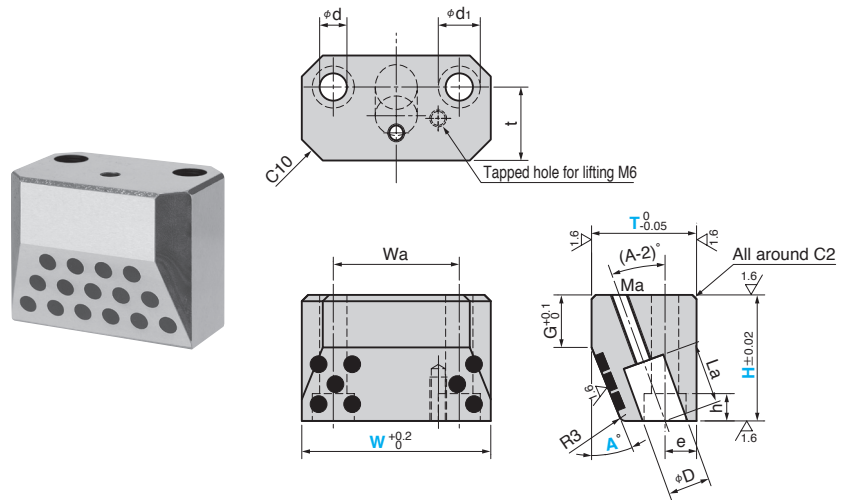


Locking Block and Angular Pin

FOR SLIDE CORE

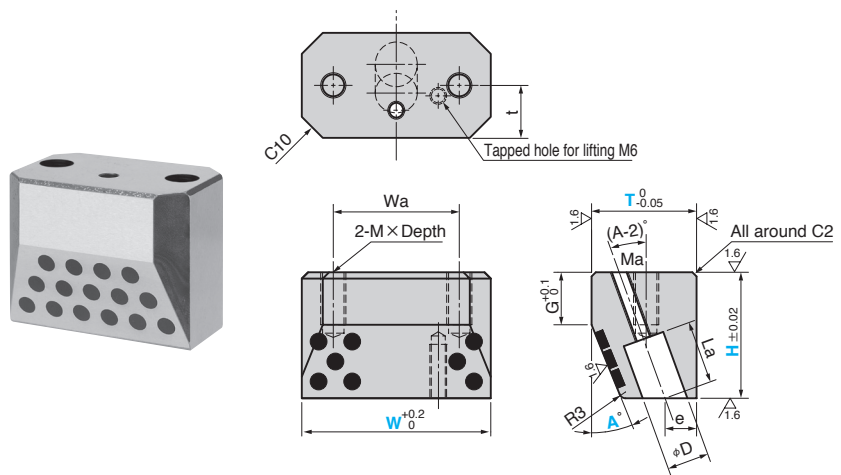
RoHS

LKBA (Bolt Hole Type)



Material : S55C (I C55 A 1055)
with Graphite
Slide Area Induction Hardened
HRC55 or more

LKBB (Tapped Hole Type)



Material : S55C (I C55 A 1055)
with Graphite
Slide Area Induction Hardened
HRC55 or more

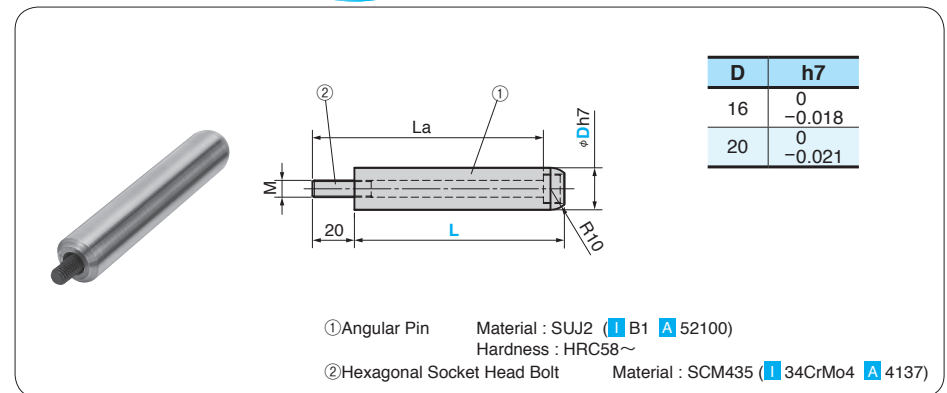
G	t	Wa	d	d1	h	e	D	La	Ma	Catalog No.	T	H	W	A
20	28	50	11	17.5	11	12	16	25	M6	LKBA	40	50	75	17°
25	30	50				15					50	60	75	
		70									100			
30	40	50	13	20	13	20	30	M8		60	70	75	22°	
		70								100				

G	t	Wa	M x Depth	e	D	La	Ma	Catalog No.	T	H	W	A
20	20	50	M10 x 20	12	16	25	M6	LKBB	40	50	75	17°
25	25	50		15					50	60	75	
		70	M12 x 24	20	30	M8			100			
30	30	50		20				60	70	75	22°	
		70						100				

Order **Catalog No.** **T** - **H** - **W** - **A**
LKBA 50 - 60 - 100 - 17

Angular Pin AGPB

RoHS



M	La	Catalog No.	D	L
6	80	AGPB	16	75
	90			85
8	80	AGPB	20	75
	90			85

Order **Catalog No.** **D** - **L**
AGPB 20 - 85