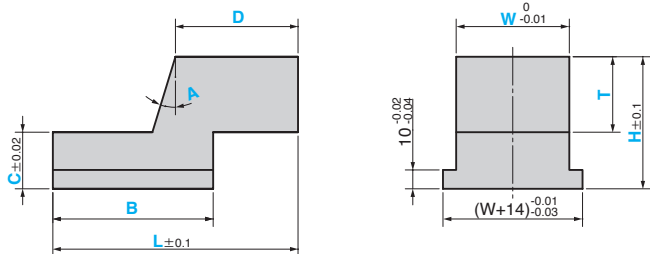
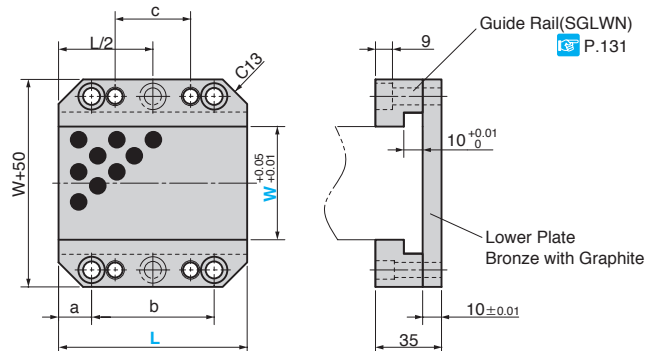


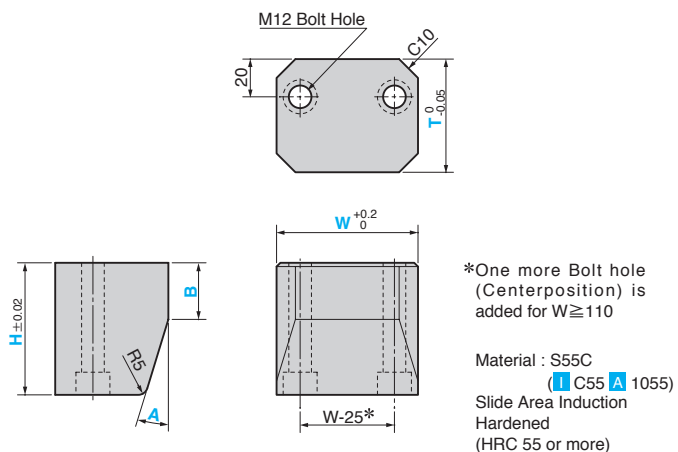
Slide Core **SLCRC** (Material : S55C **T** C55 **A** 1055)
SLCRM (Material : SCM435 **T** 34CrMo4 **A** 4137)



Slide Guide Set **SDGS**



Locking Block **LKBF**



Slide Core

Catalog No.	Increments of 10mm				Increments of 1mm			A Increments of 1°
	W	L	H	T	B	C	D	
SLCRC SLCRM	70 150	130 250	80 120	50 90	B<L	C<H	D<L	$A \leq 25$



Order

Catalog No.	W	L	H	T
SLCRC	100	200	120	80
		B	C	D
		120	50	100
				A
				17

A Provide drawing for other additional machining.

Slide Guide Set

a	b	c	Catalog No.	W Increments of 10mm	L
	45	20			80
17.5	65	40	SDGS	70~150	100
	42.5	60			120
	52.5	70			140



Order

Catalog No.	W	L
SDGS	100	120

A Provide drawing for spill port of angular pin.

Locking Block

Catalog No.	W Increments of 10mm	H	T	B Increments of 1mm	A Increments of 1°
LKBF	70~150	60~70	50~60	B<H	$A \leq 25$



Order

Catalog No.	W	H	T	B	A
LKBF	100	70	50	33	17

A Contact sales office if necessary specification is required.