

# Inclined Pin Holder Adjusting Type(For KOCUM)

FOR INCLINED PIN

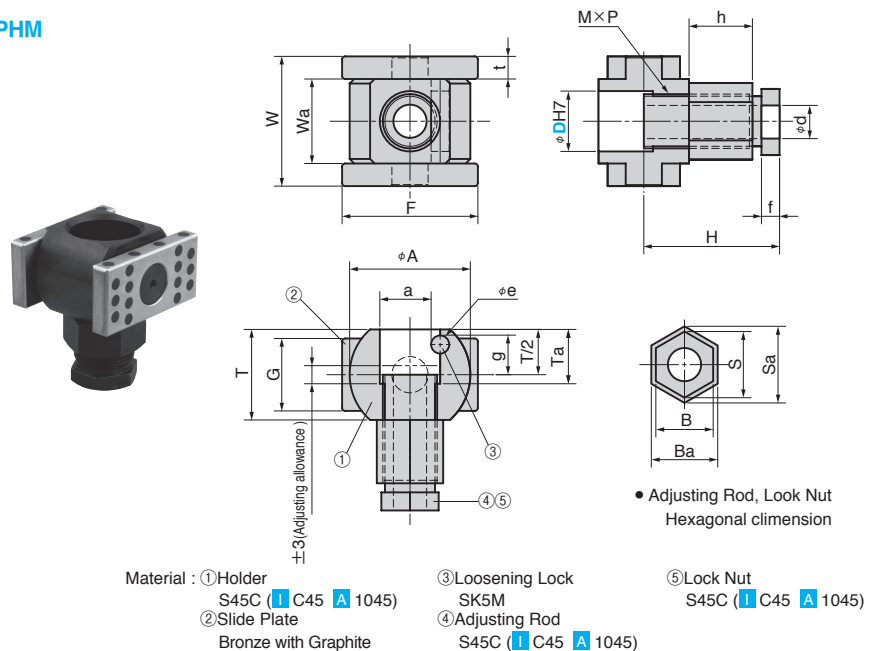
RoHS

# Inclined Pin Holder Adjusting Type(For RCSUM)

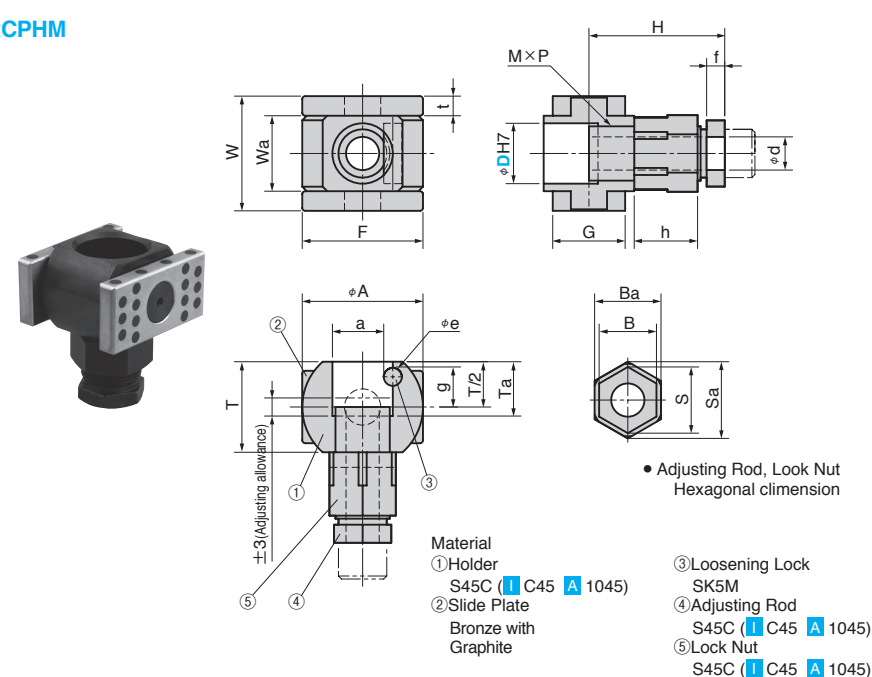
FOR INCLINED PIN

RoHS

KPHM



RCPHM



D	W	Wa	F	t	M×P	H	f	h	T	G	A	a	g	Ta	e	S	B	Sa	Ba
16	36	21	45	7.5	M14×1.5	42	6	21	24	24	30	13	10	15	6	16.2	14	19.6	17
20	43	28	45	7.5	M18×1.5	45	6	21	30	24	40	17	13	18	6	21.9	19	25.4	22
25	48	33	50	7.5	M22×1.5	49	7	21.5	35	26	45	22	14	20.5	6	25.4	22	31.2	27
30	55	38	60	8.5	M27×1.5	55	7	26	38	30	50	27	15	22	6	31.2	27	37.0	32
35	64	44	70	10	M30×1.5	58	7	28	40	34	55	31	15	23	8	37.0	32	41.6	36
40	72	50	80	11	M36×1.5	60.5	7	29	43	38	60	36	16	24.5	8	43.9	38	47.3	41

D	W	Wa	F	t	M×P	H	f	h	G	A	a	T	g	Ta	e	S	B	Sa	Ba
16	33	20	40	6.5	M14×1.5	42	6	21	20	30	13	24	10	15	6	16.2	14	19.6	17
20	38	25	40	6.5	M18×1.5	45	6	21	24	40	17	30	13	18	6	22.0	19	25.4	22
25	45	30	45	7.5	M22×1.5	49	7	21.5	26	45	22	35	14	20.5	6	25.4	22	31.2	27
30	51	36	60	7.5	M27×1.5	54	7	25	30	50	27	38	15	22	6	31.2	27	37.0	32
35	58	42	62	8	M30×1.5	58	7	28	34	55	31	40	15	23	8	37.0	32	41.6	36
40	66	49	70	9	M36×1.5	60.5	7	29	38	60	36	43	16	24.5	8	43.9	38	47.3	41

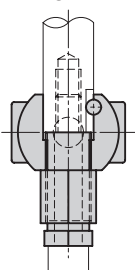
Catalog No.	D
	16
	20
KPHM	25
	30
	35
	40

Order  Catalog No.  D

KPHM

25

KPHM  
RCPHM



■ Inclined Pin Mounting Bolt

D	KPHM	RCPHM
16	M 8×55	M 8×55
20	M10×60	M10×60
25	M12×70	M12×70
30	M12×75	M12×75
35	M12×80	M12×80
40	M16×85	M16×85

▲ Standard parts of KPHM φ35 to φ40 will be abolished at the end of March 2008. Please use RCPHM.

Catalog No.	D
	16
	20
RCPHM	25
	30
	35
	40

Order  Catalog No.  D

RCPHM

40