

KOCUFR

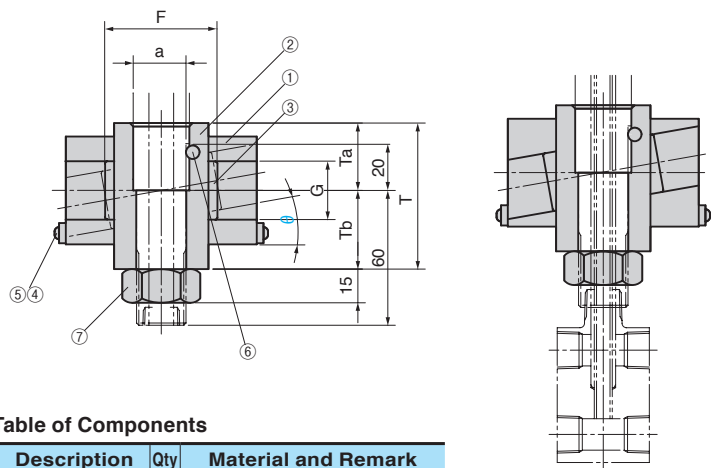
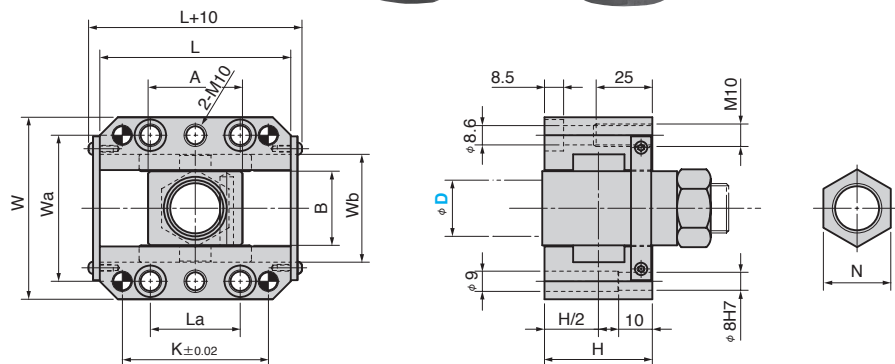
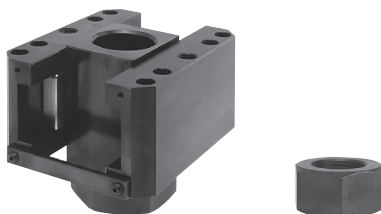


Table of Components

No.	Description	Qty	Material and Remark
①	Guide Rail	2	S45C (I C45 A 1045)
②	Inclined Pin Holder	1	S45C (I C45 A 1045)
③	Slide Plate	2	Bronze with Graphite
④	Lock Plate	2	SS400 (A A36-89b, A283-88)
⑤	Round Head Screw	4	SCM435 (I 34CrMo4 A 4137)
⑥	Loosening Lock	1	SK5M $\phi 6 \times 30$
⑦	Lock Nut	1	S45C (I C45 A 1045)

D	W	Wa	L	K	La	B	Wb	H	A	a	T	Ta	Tb	F	G	N
25	81	65	85	65	40	33	48	48	40	23.5	60	26	34	50	26	32
30	88	72	100	80	50	38	55	54	47	28.5	67	29	38	60	30	34

Catalog No.	D	θ Increments of 1°
KOCUFR	25 30	0°~10°



Order

Catalog No.	D	θ
KOCUFR	25	0



Option

Option Code	Specification
G	Play of 0.1 to 0.2 is provided in the width direction (Wb).



Play of 0.1 to 0.2 is provided when the tolerance between dowel holes is ± 0 .
For details, refer to page. 74.



Order KOCUFR 25-0-G



For the standard part of inclined pin with special cooling hole, refer to page.105.