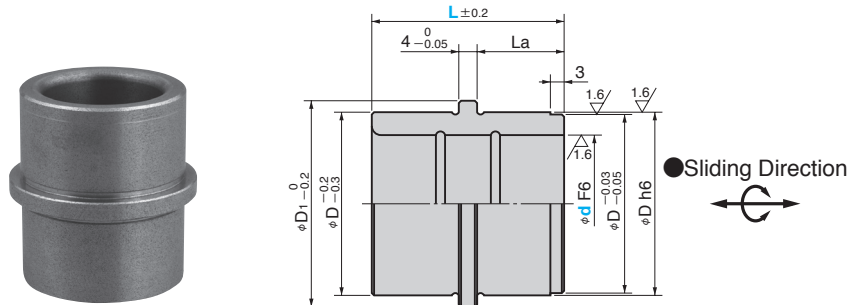


Ejector Guide Bushing

FOR HIGH TEMPERATURE

RoHS

SEB



*Operation ambient temperature: 0 to 400°C

Material : Copper powder sintening(SO#200H)

d F6	D h6	D ₁	La	Catalog No.	d	L
10	16	20	12		10	23
12	18	22	14		12	25
			12			32
13	22	25	14		13	32
			19			42
16	25	30	14	SEB	16	32
			19			42
20	30	35	14		20	32
			19			42
25	35	40	14		25	32
			19			42
30	40	45	14		30	32
			19			42

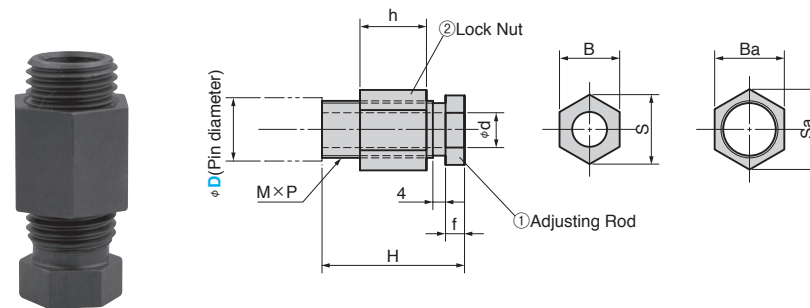
Order

Adjusting Rod Set

FOR DIRECT EJECTOR PIN

RoHS

AHS



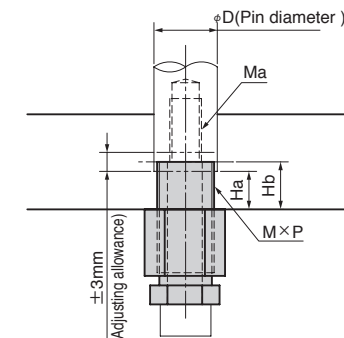
Material : S45C(Refining HRC23 to 28)
 (I) C45 (A) 1045
 Surface treatment: Black oxide

① Adjusting Rod						② Lock Nut			Catalog No.	D
M×P	H	d	f	B	S	h	Ba	Sa		
M14×1.5	42	9	6	14	16.2	21	17	19.6	AHS	16
M18×1.5	45	11	6	19	21.9	21	22	25.4		20
M22×1.5	49	13	7	22	25.4	21.5	27	31.2		25
M27×1.5	55	13	7	27	31.2	26	32	37.0		30
M30×1.5	58	13	7	32	37.0	28	36	41.6		35
M36×1.5	60.5	17	7	38	43.9	29	41	47.3	40	

Order

Installation procedure on Ejector Plate

Direct Ejector Pin D	Ma × depth	Hexagonal Socket Head Bolt for Fixing	M×P	Ha	Hb
16	M 8×16	M 8×55	M14×1.5	9	12
20	M10×20	M10×60	M18×1.5	12	15
25	M12×24	M12×70	M22×1.5	14.5	17.5
30	M12×24	M12×75	M27×1.5	16	19
35	M12×24	M12×80	M30×1.5	17	20
40	M16×32	M16×85	M36×1.5	18.5	21.5



Ha : Tapped hole depth of ejector plate
 Hb : Adjusting criteria (± 3 mm center)