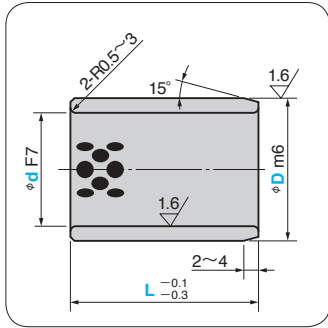


Guide Bushing

UNIVERSAL STRAIGHT TYPE

RoHS



Order

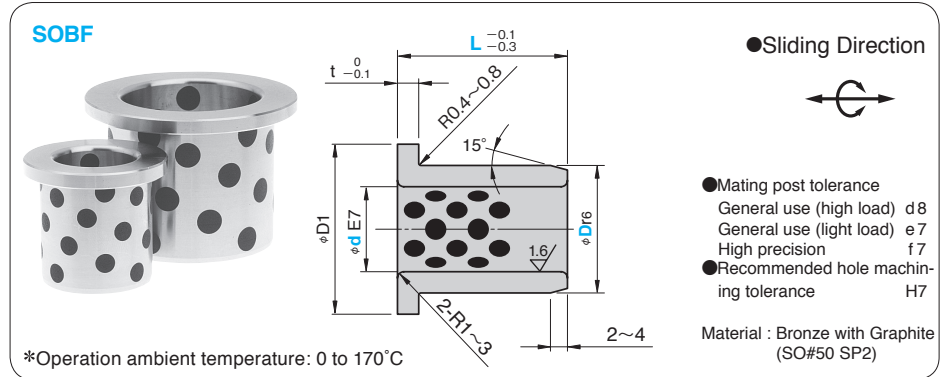
Catalog No. **SOB** **d** - **D** - **L**
 SOB 120 - 140 - 100

d F7	D m6	Catalog No.	d	D	L				
90	110	SOB	90	110	120				
					50				
					60				
					70				
100	120				+0.035	100	120	80	
					+0.013			90	
								100	
								120	
								140	
								50	
									70
								110	130
		100							
					120				
					70				
120	140		120	140	80				
					90				
					100				
					120				
					140				
125	145		125	145	100				
						120			
						80			
						100			
					120				
130	150		130	150	100				
						130			
						100			
						130			
					140				
140	160		140	160	80				
						100			
						150			
						80			
					100				
150	170		150	170	100				
						150			
						80			
						100			
					150				
160	180		160	180	80				
						100			
						150			
						80			
					150				

Guide Bushing

UNIVERSAL FLANGE TYPE

RoHS



*Operation ambient temperature: 0 to 170°C

● Sliding Direction



- Mating post tolerance
 - General use (high load) d8
 - General use (light load) e7
 - High precision f7
- Recommended hole machining tolerance H7

Material : Bronze with Graphite (SO#50 SP2)

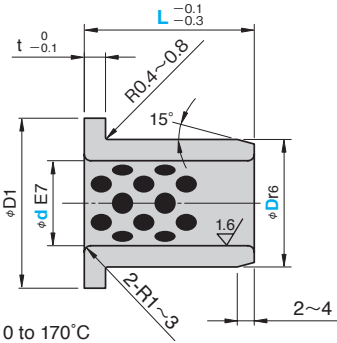


Order

Catalog No. **SOBF** **d** - **D** - **L**
 SOBF 35 - 45 - 25

d E7	D r6	D1	t	L	Catalog No.	d	D	L		
8	12		20	10	SOBF	8	12	10		
				15				15		
10	14		22	2				12	12	12
				15				15		
				17				20	17	17
									20	20
12	18	25		15				15	15	
				20				20		
				25				25		
				30				30		
13	19	26		15				15	15	
				20				20		
				25	25					
				30	30					
14	20	27		15	15	15				
				20	20					
				25	25					
				30	30					
15	21	28	3	15	15	15				
				20	20					
				25	25					
				30	30					
16	22	29		15	15	15				
				18	18					
				20	20					
				23	23					
16	22	29		25	25	25				
				30	30					
				35	35					
				40	40					
18	24	32		20	20	20				
				30	30					
				15	15					
				20	20					
20	30	40	5	25	25	25				
				30	30					
				35	35					
				40	40					

SOBF



●Sliding Direction



- Mating post tolerance
 - General use (high load) d8
 - General use (light load) e7
 - High precision f7
- Recommended hole machining tolerance H7

Material : Bronze with Graphite (SO#50 SP2)

*Operation ambient temperature: 0 to 170°C



Order

Catalog No.	d	-	D	-	L
SOBF	35	-	45	-	25

d E7	D r6	D1	t	L	Catalog No.	d	D	L
25	35	45	5	15	SOBF	25	35	15
				20				20
				25				25
				30				30
				35				35
40	40							
30	40	50	5	20	SOBF	30	40	20
				25				25
				30				30
				35				35
				40				40
31.5	40	50	5	50	SOBF	31 (Note)	40	20
				20				20
				25				25
				30				30
				35				35
35	45	60	5	40	SOBF	35	45	30
				35				35
				40				40
				50				50
				20				20
40	50	65	5	25	SOBF	40	50	25
				30				30
				35				35
				40				40
				50				50

(Note) Actual size is 31.5.

d E7	D r6	D1	t	L	Catalog No.	d	D	L
45	55	70	5	30	SOBF	45	55	30
				35				35
				40				40
				50				50
				60				60
50	60	75	5	30	SOBF	50	60	30
				35				35
				40				40
				50				50
				60				60
55	65	80	5	40	SOBF	55	65	40
				60				60
				60				60
				60				60
				40				40
60	75	90	5	50	SOBF	60	75	50
				80				80
				63				63
				70				70
				80				80
70	85	105	7.5	67.5	SOBF	70	85	67.5
				50				50
				80				80
				75				75
				60				60
80	100	120	10	60	SOBF	80	100	60
				60				60
				80				80
				100				100
				60				60
90	110	130	10	80	SOBF	90	110	80
				80				80
				100				100
				80				80
				100				100
120	140	170	10	80	SOBF	120	140	80
				80				80
				100				100
				80				80
				100				100