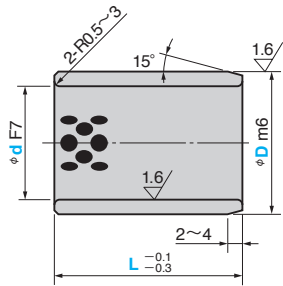


SOB



- Mating post tolerance
d8: General use (high load)
e7: General use (light load)
f7: High precision
- Recommended hole machining tolerance H7

● Sliding Direction



Material: Bronze with Graphite (SO#50 SP2)

*Operation ambient temperature: 0 to 170°C

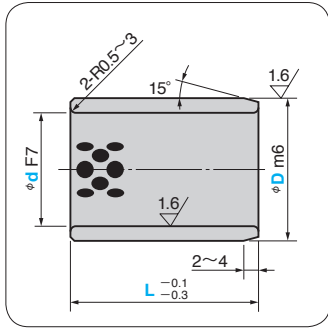


Order

Catalog No. **SOB** d **35** - D **45** - L **25**

d F7	D m6	Catalog No.	d	D	L
8	12	SOB	8	12	8
					10
					12
					15
10	14	SOB	10	14	8
					10
					12
					15
12	18	SOB	12	18	20
					8
					10
					12
13	19	SOB	13	19	15
					10
					12
					15
14	20	SOB	14	20	12
					10
					12
					15

d F7	D m6	Catalog No.	d	D	L
15	21	SOB	15	21	10
					12
					15
					16
16	22	SOB	16	22	20
					25
					30
					10
17	23	SOB	17	23	12
					15
					16
					19
18	24	SOB	18	24	20
					25
					30
					35
19	26	SOB	19	26	40
					15
					20
					10
20	28	SOB	20	28	12
					15
					16
					19
22	32	SOB	22	32	20
					25
					12
					15
25	33	SOB	25	33	12
					15
					16
					20

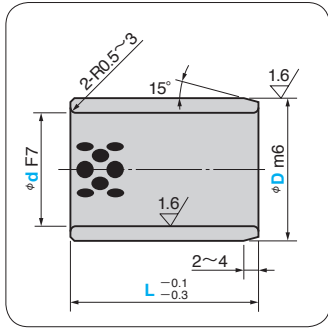


Order

Catalog No. **SOB** d **35** - D **45** - L **25**

d F7	D m6	Catalog No.	d	D	L
					30
					35
	33			33	40
					50
					60
					12
			25		15
25					16
					20
	35			35	25
					30
					35
					40
					50
					20
					25
28			28		30
					30
		SOB			40
					12
					15
	38			38	20
					25
					30
					35
					40
					50
30			30		60
					12
					15
					20
					25
					30
	40			40	35
					40
					50
					60
					30
31.5			31.5		40
					40
32	42		32	42	20

d F7	D m6	Catalog No.	d	D	L
32	42		32	42	30
					40
					20
					25
				44	30
					35
					40
					50
35			35		60
					20
					25
					30
				45	35
					40
					50
					60
38	48		38	48	30
					40
					15
					20
					25
					30
				50	35
					40
40			40		50
					60
		SOB			70
					80
					15
					25
					30
					35
					40
				55	50
					60
					30
					35
					40
					50
					60
					30
					35
45	56		45	56	40
					50
					60
					30
					35
					40
				60	50
					60
					70
					80
50			50		20
					30



Order

Catalog No. **SOB** d **50** - D **65** - L **80**

d F7	D m6	Catalog No.	d	D	L
					35
					40
	60			60	50
					60
					70
					80
					30
					35
50	62		50	62	40
					50
					60
					70
					30
					40
	65			65	50
					60
					70
					80
					100
		SOB			30
					35
55	70		55	70	40
					50
					60
					70
					30
					35
					40
	74			74	50
					60
					70
60			60		80
					100
					30
					35
					40
	75			75	50
					60
					70
					80

d F7	D m6	Catalog No.	d	D	L
60			60		100
					60
63	75		63	75	70
					80
					40
					50
65	80		65	80	60
					70
					80
					30
					35
					40
					50
				85	60
					70
70			70		80
					100
					50
					60
					70
					80
				90	50
					60
					70
					80
					100
75	85		75		60
					70
					80
					100
		SOB		95	70
					80
					100
					40
					50
					60
				96	70
					80
					100
					120
80			80		40
					50
					60
					70
					80
					100
				100	100
					120
					140
85				85	60
					80
					30
					50
					60
90	110		90	110	70
					80
					90
					100

