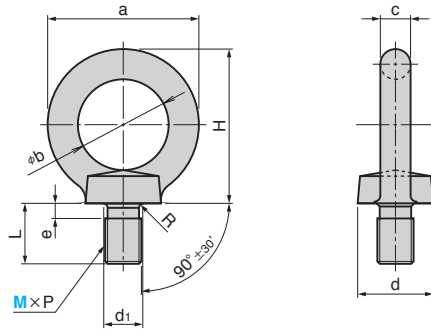


# Eye Bolt

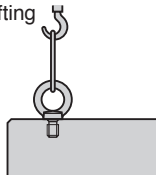
LIFTING TYPE

RoHS

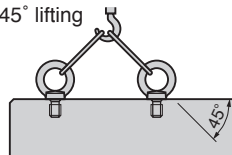
LEB



● Vertical lifting



● 45° lifting

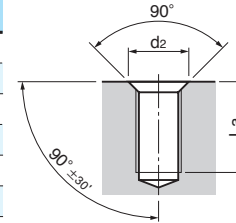


Material : SS400  
 (A) A36-89b,  
 A283-88)  
 Bolt accuracy: JIS 1168

## ● Attaching Method

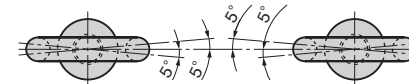
Chamfer tapped holes and attach the eye bolt closely to the seating.

M	d <sub>2</sub>	La
10	13	20
12	16	24
16	20	30
20	24	34
24	28	42
30	36	50
36	42	60
42	48	70
48	56	76
64	75	98
80	91	115
100	112	140

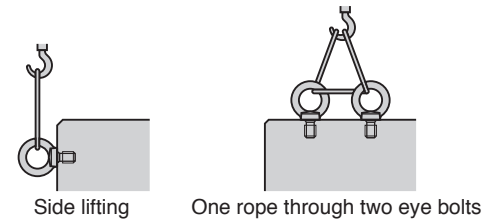


M x P	a	b	c	d	H	L	e	R	d <sub>1</sub>	Allowable Load N (Kgf)		Catalog No.	M
										Vertical lifting/bolt	45° lifting /2 bolts		
10x1.5	41	25	8	20	41.5	18	4	1.2	11.2	1471 (150)	1471 (150)		10
12x1.75	50	30	10	25	51	22	5	1.4	14.2	2157 (220)	2157 (220)		12
16x2.0	60	35	12.5	30	60	27	5	1.6	18.2	4413 (450)	4413 (450)		16
20x2.5	72	40	16	35	71	30	6	2	22.4	6178 (630)	6178 (630)		20
24x3.0	90	50	20	45	90	38	8	2.5	26.4	9316 (950)	9316 (950)		24
30x3.5	110	60	25	60	110	45	8	3	33.4	14710 (1500)	14710 (1500)	LEB	30
36x4.0	133	70	31.5	70	131.5	55	10	3	39.4	22555 (2300)	22555 (2300)		36
42x4.5	151	80	35.5	80	150.5	65	12	3.5	45.6	33300 (3396)	33300 (3396)		42
48x5.0	170	90	40	90	170	70	12	4	52.6	44100 (4497)	44100 (4497)		48
64x6.0	210	110	50	110	210	90	14	5	71	88300 (9004)	88300 (9004)		64
80x6.0	266	140	63	130	263	105	14	5	87	147000(14990)	147000(14990)		80
100x6.0	340	180	80	170	335	130	14	5	108	196000(19986)	196000(19986)		100

▲ ● When two eye bolts are used for lifting, keep the eye bolts in the same direction.



● Do not use eye bolts as shown below.



Order  Catalog No.  M   
 LEB 16