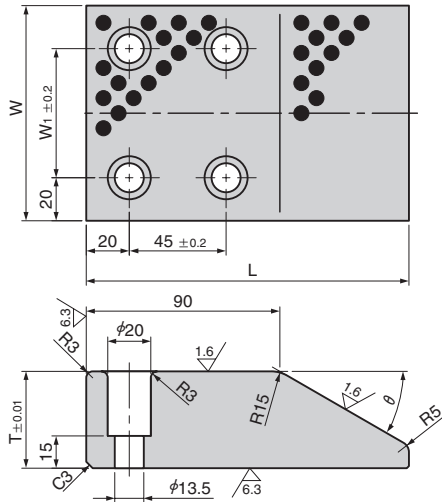
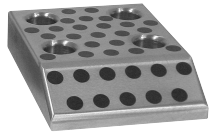


# Cam Stroke Plate

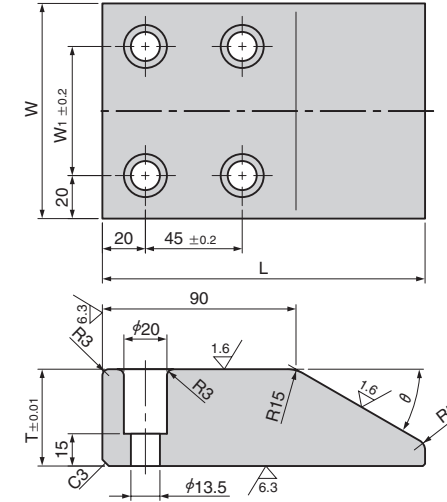
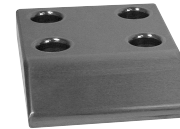
EUROPEAN STANDARD

VTK-80□  
VTK-81□  
(Bronze with Graphite/  
VDI3357 Type)



Material : Bronze with Graphite  
(SO#50 SP2)

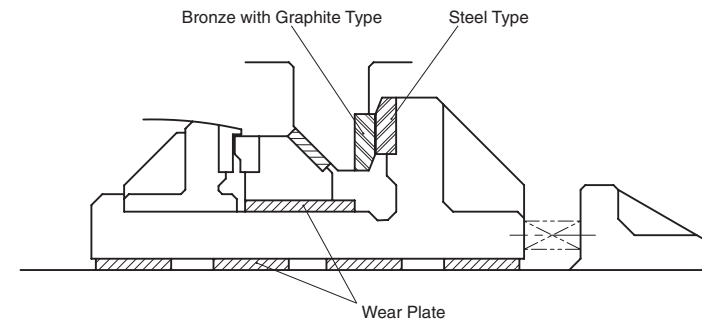
VTK-84□  
VTK-85□  
(Steel/VDI3357 Type)



Material : 1.2379(SKD11)  
Hardness : HRC60 or more

Catalog No.		W	W <sub>1</sub>	L	T	θ	Recommended mounting bolt
Bronze with Graphite Type	Steel Type						
VTK-801	VTK-841	100	60	170	45	20	
VTK-802	VTK-842	125	85				
VTK-803	VTK-843	150	110				
VTK-811	VTK-851	100	60	150	45	30	M12x40 (DIN, EN ISO4762)
VTK-812	VTK-852	125	85	170	60		
VTK-813	VTK-853	150	110	150	45		
VTK-814	VTK-854	150	110	170	60		
VTK-815	VTK-855			150	45		
VTK-816	VTK-856			170	60		

**EX** Example



Order

Catalog No.

VTK-813