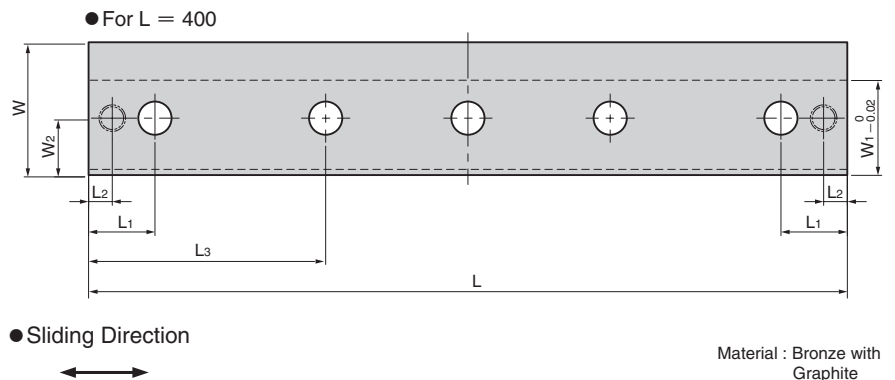
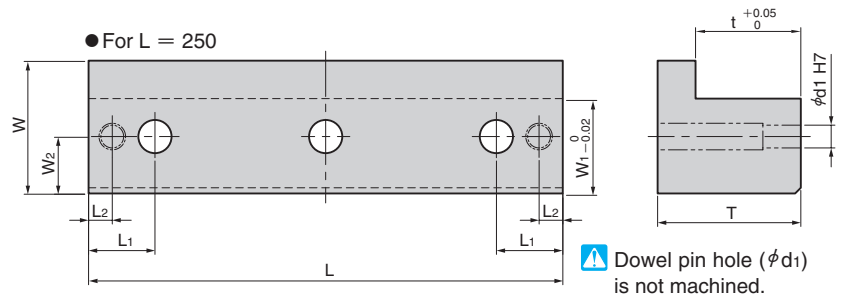
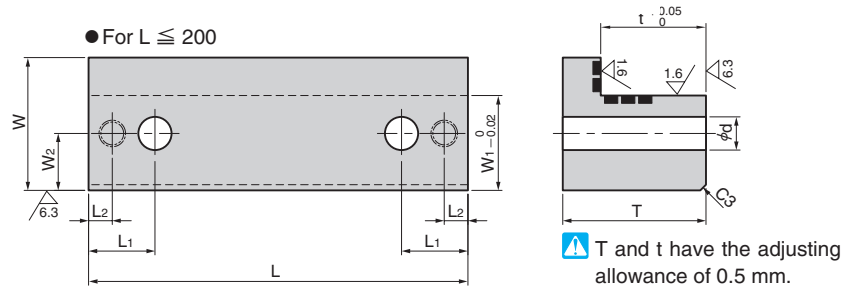
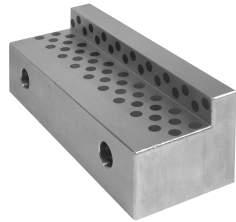


VSOL



Catalog No.	W	L	W ₁	W ₂	L ₁	L ₂	L ₃	T	t	d	d ₁
VSOL-01	25	125	18	9				15.5	8.5	9	6
VSOL-02		160									
VSOL-03	32	125	22	11	27.5	10		30.5	15.5	11	8
VSOL-04		200									
VSOL-05	55	100	37	20			-	55.5	39.5	13.5	10
VSOL-07		160									
VSOL-11	70	160	50	30	35	12.5		75.5	55.5	17.5	12
VSOL-12		200									
VSOL-13		250									
VSOL-15		400									
VSOL-16	85	160	63	38	42.5	15		90.5	65.5	22	16
VSOL-17		200									
VSOL-18		250									
VSOL-20		400									



Order

Catalog No.

VSOL-12

Recommended Mounting bolt and Dowel pin

Catalog No.	W	L	Recommended mounting bolt DIN 912	Recommended dowel pin DIN7979
VSOL-01	25	125	M8x30	φ6x20
VSOL-02		160		
VSOL-03	32	125	M10x50	φ8x40
VSOL-04		160		
VSOL-05	55	200	M12x80	φ10x60
VSOL-07		160		
VSOL-11	70	160	M16x100	φ12x70
VSOL-12		200		
VSOL-13		250		
VSOL-15	85	400	M20x120	φ16x70
VSOL-16		160		
VSOL-17		200		
VSOL-18	250	200	M20x120	φ16x70
VSOL-20		400		



Example

