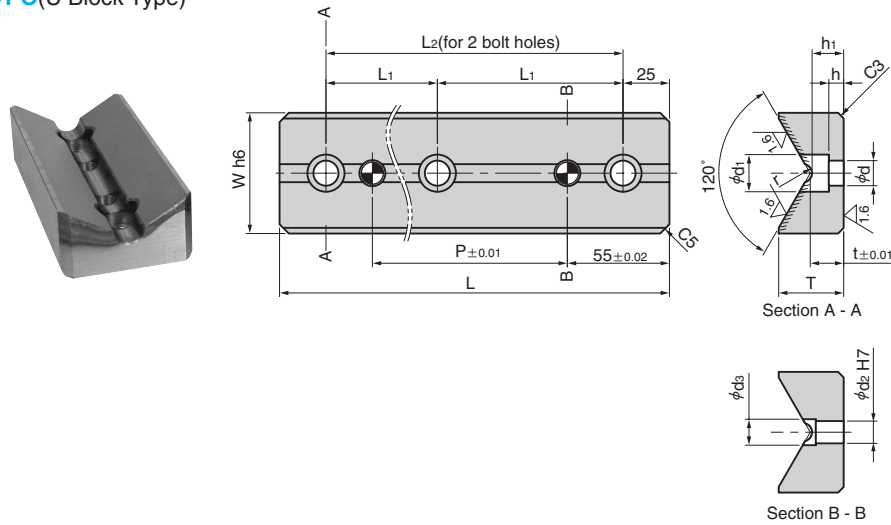
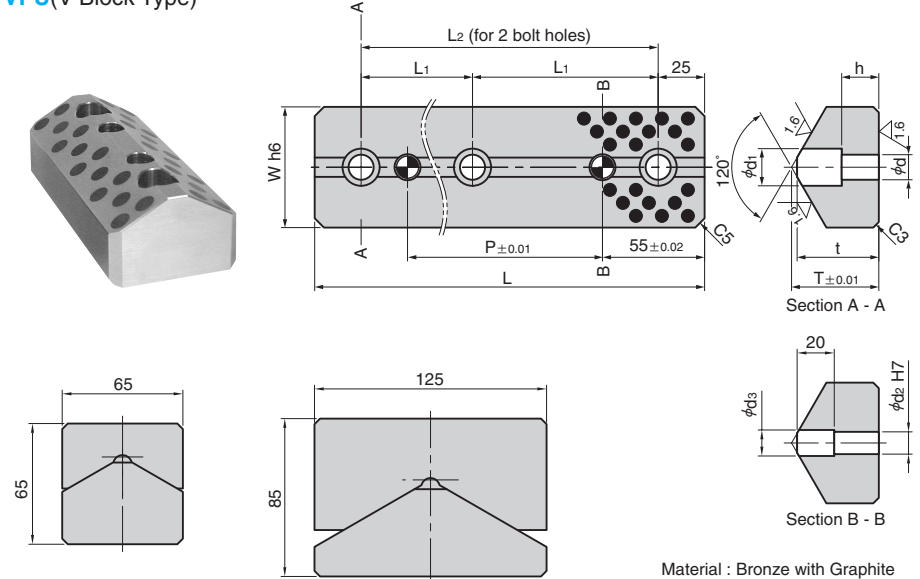


VPO(U Block Type)



Material : 1.1730-H(S45C)
Hardness : HRC55 or more(Hatched Area)

VPU(V Block Type)



Material : Bronze with Graphite
(SO#50 SP2)

Catalog No.	W	L	L ₁	L ₂	P	T	t	r	h	h ₁	d	d ₁	d ₂	d ₃
VPO-701	65	150	—	100	45	35	18	5	8	17	13.5	20	12	14
VPO-702		200	—	150	95									
VPO-703		250	100	—	145									
VPO-704		300	125	—	195									
VPO-711	125	150	—	100	45	60	33	5	15	32	17.5	26	16	18
VPO-712		200	—	150	95									
VPO-713		250	100	—	145									
VPO-714		300	125	—	195									

■ Mounting bolt · Dowel pin

W	Mounting bolt	Dowel pin
65	M12X25	φ12X32
125	M16X50	φ16X60

* Mounting bolt (DIN EN ISO4762)

* Dowel pin (DIN EN ISO8733/8735)



Order

Catalog No.

VPO-711

Catalog No.	W	L	L ₁	L ₂	P	T	t	h	d	d ₁	d ₂	d ₃
VPU-751	65	150	—	100	45	47	44	20	13.5	20	12	14
VPU-752		200	—	150	95							
VPU-753		250	100	—	145							
VPU-754		300	125	—	195							
VPU-761	125	150	—	100	45	52	47	15	17.5	26	16	18
VPU-762		200	—	150	95							
VPU-763		250	100	—	145							
VPU-764		300	125	—	195							

■ Mounting bolt · Dowel pin

W	Mounting bolt	Dowel pin
65	M12X35	φ12X32
125	M16X50	φ16X60

* Mounting bolt (DIN EN ISO4762)

* Dowel pin (DIN EN ISO8733/8735)



Order

Catalog No.

VPU-751