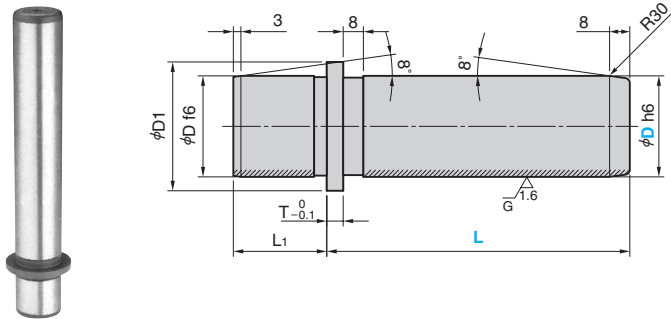
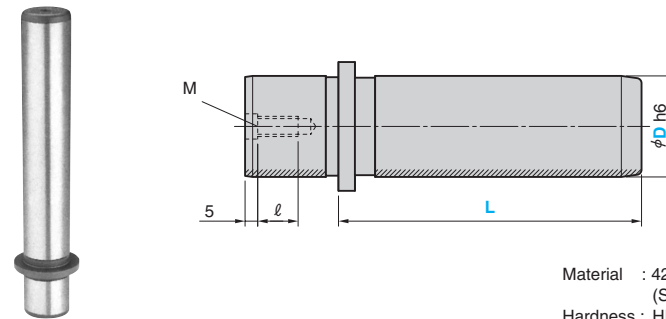


**GPF04**



**GPF05 (with Tapped Thread)**



M	ℓ
M6	15
M8	15
M10	16
M12	16

Material : 42CrMo4V  
(SCM440)  
Hardness : HRC60~64(Hatched Area)  
(Depth 1.0mm or more)

D	D <sub>1</sub>	L <sub>1</sub>	T	M
18	26	20	3.5	M6
19				
24				
25	33	24	5	
32				
40	51	37		
50				
63	76	49		M10
80				
80	93	60		M12

Tolerance		
D	h <sub>6</sub>	f <sub>6</sub>
18	0 -0.011	-0.016 -0.027
19		
24	0 -0.013	-0.020 -0.033
25		
32		
40	0 -0.016	-0.025 -0.041
50		
63	0 -0.019	-0.030 -0.049
80		

Catalog No.	D	L	
GPF04	18	70	
		80	
		90	
		100	
		110	
		120	
	GPF05	19	130
			140
			150
			160
			170
			180
GPF04	24	70	
		80	
		90	
		100	
		110	
		120	
	GPF05	32	130
			140
			150
			160
			170
			180

Catalog No.	D	L	
GPF04	25	70	
		80	
		90	
		100	
		110	
		120	
	GPF05	32	130
			140
			150
			160
			170
			180

Catalog No.	D	L	
GPF04	40	100	
		110	
		120	
		130	
		140	
		150	
	GPF05	50	160
			170
			180
			200
			220
			240

Catalog No.	D	L	
GPF04	63	120	
		140	
		160	
		180	
		200	
		220	
	GPF05	80	240
			280
			320
			360
			400
			400



Order

Catalog No.	D	L
GPF04	32	160
GPF05	40	160