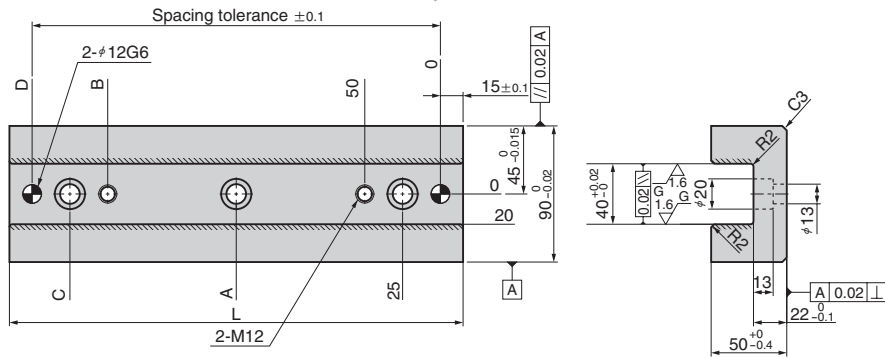


Center Key Guide

NAAMS STANDARD

CAD FILE

SNG41 (Steel Type) Series



Material : 1045(S45C)
Area to be Induction Hardened (Hatched Area)
HRC40 or more

| No. of Mounting Bolts | A | B | C | D | L | NAAMS Code | Catalog No. | |
|-----------------------|-----|-----|-----|-----|-----|------------|-------------|------|
| | | | | | | | Series Name | No. |
| 2 | — | 120 | 145 | 170 | 200 | G419020 | SNG41 | 9020 |
| 3 | 135 | 220 | 245 | 270 | 300 | G419030 | SNG41 | 9030 |



Order

| | |
|-------------|------|
| Catalog No. | |
| Series Name | No. |
| SNG41 | 9020 |

(SNG419020)

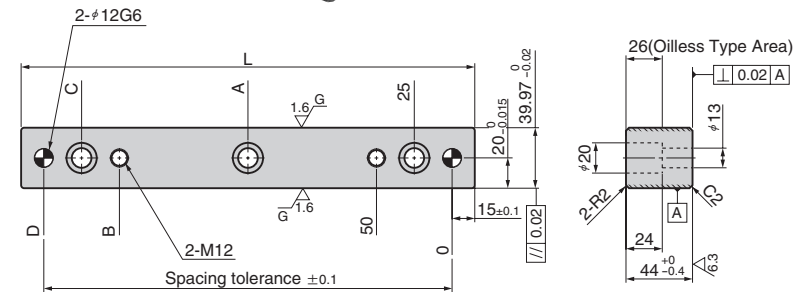
SNG41 Series is made to order.

Center Key

NAAMS STANDARD

CAD FILE

SNG42 (Steel with Graphite) Series
SNG43 (Bronze with Graphite) Series



Material :
SNG42 1045(S45C) with Graphite
Area to be Induction Hardened(Hatched Area)
HRC40 or more
SNG43 Bronze with Graphite (SO#50 SP2)

| No. of Mounting Bolts | A | B | C | D | L | NAAMS Code | | Catalog No. | |
|-----------------------|-----|-----|-----|-----|-----|------------|-------------|-------------|------|
| | | | | | | Steel Type | Bronze Type | Series Name | No. |
| 2 | — | 120 | 145 | 170 | 200 | G424020 | G434020 | SNG42 | 4020 |
| 3 | 135 | 220 | 245 | 270 | 300 | G424030 | G434030 | SNG43 | 4030 |



Order

| | |
|-------------|------|
| Catalog No. | |
| Series Name | No. |
| SNG43 | 4020 |

(SNG434020)

SNG42/43 Series is made to order.