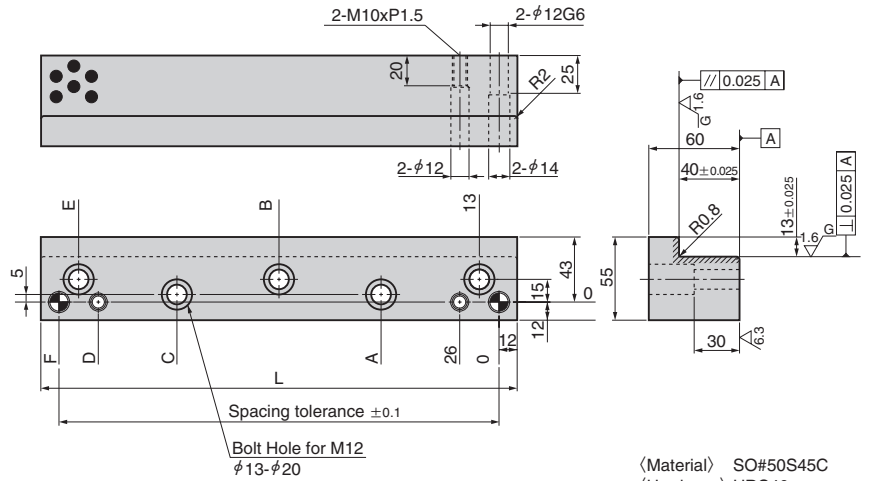
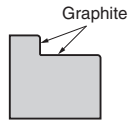


Cam Slide Guide

NAAMS Standard

SNR11 Series



(Material) SO#50S45C
(Hardness) HRC40 or more
Hatched area to be Induction Hardened

Catalog No.		No. of Holes	A	B	C	D	E	F	L	NAAMS Code
Series Name	No.									
SNR11	4016	3	68	—	—	110	123	136	160	R114016
	4020		88	—	—	150	163	176	200	R114020
	4025	4	—	—	148	200	213	226	250	R114025
	4031		78	145.5	213	265	278	291	315	R114031

SNR11 Series is made to order.

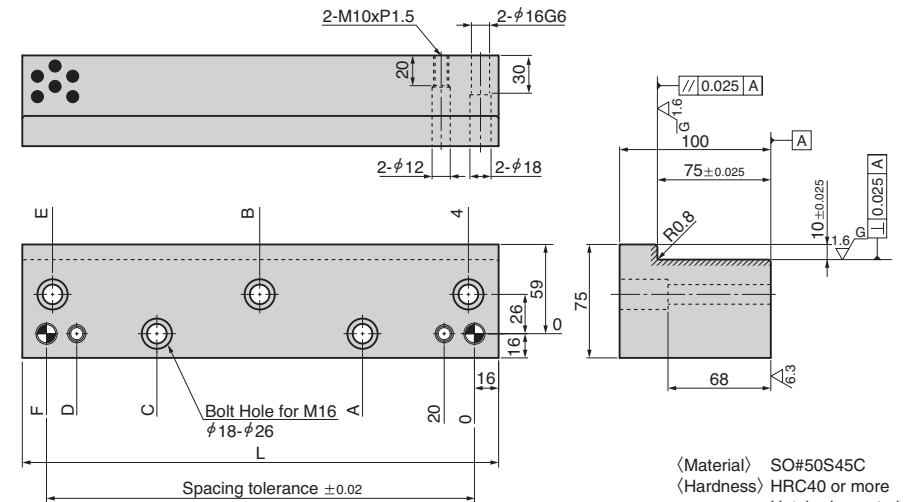
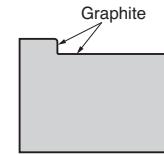
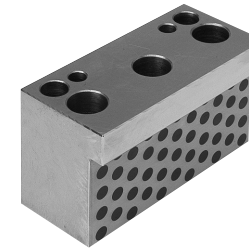


Catalog No.

Series Name No.

SNR11 4016 (SNR114016)

SNR12 Series



(Material) SO#50S45C
(Hardness) HRC40 or more
Hatched area to be Induction Hardened

Catalog No.		No. of Holes	A	B	C	D	E	F	L	NAAMS Code
Series Name	No.									
SNR12	7516	3	—	64	—	108	124	128	160	R127516
	7520		84	—	148	164	168	200	R127520	
	7525	4	—	—	144	198	214	218	250	R127525
	7531		74	142	210	263	279	283	315	R127531

SNR12 Series is made to order.



Catalog No.

Series Name No.

SNR12 7516 (SNR127516)