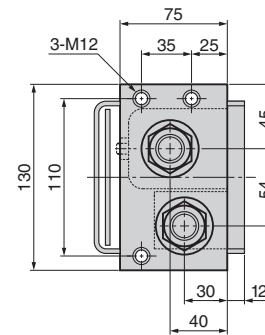
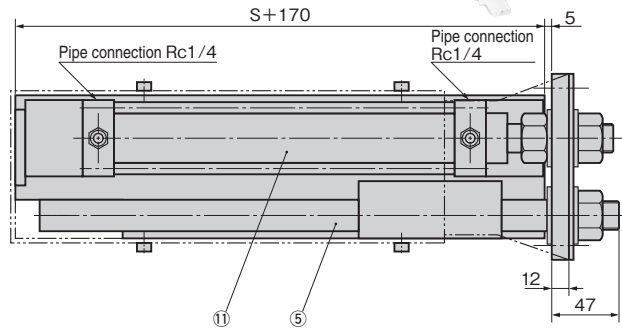
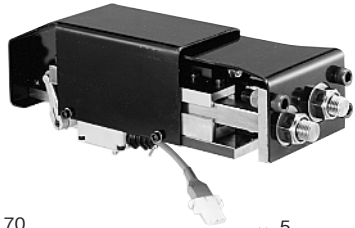


# Pusher

SQUARE GUIDE TYPE

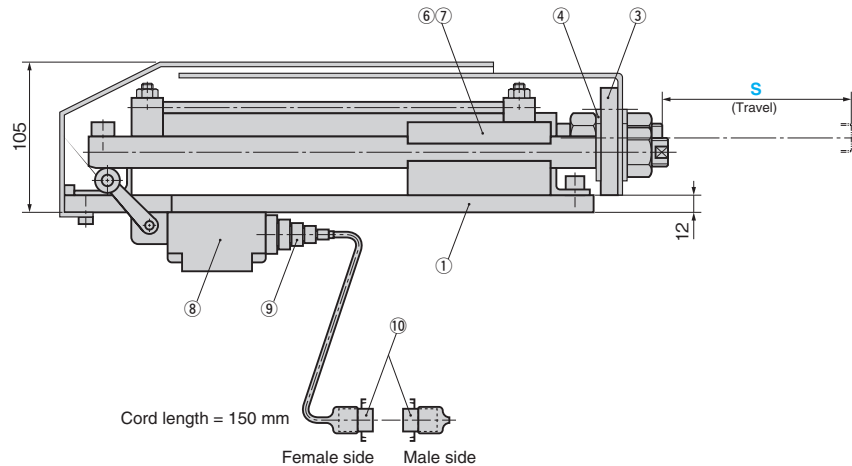
CAD  
FILE

APEHB (With Bracket)  
APEH (Without Bracket)

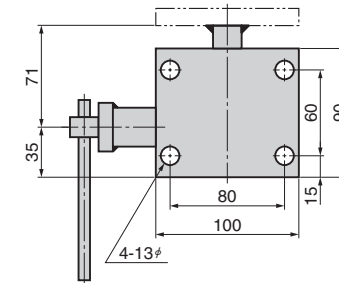
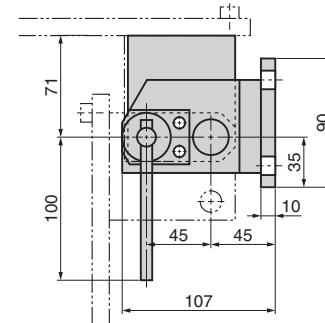


## Table of Components

No.	Description	Qty	Material and Remark
①	Base plate	1	SS400
②	Bracket	1	SS400
③	Connector Plate Mounting Board	1	SS400
④	Collar	1	SS400
⑤	Guide Pin	1	S45C □22
⑥	Guide Holder (upper)	1	Bronze with Graphite (SO-2)
⑦	Guide Holder (lower)	1	Bronze with Graphite (SO-2)
⑧	Limit Switch	1	1LS2-J/WL-1A200 By Yamatake
⑨	CAPCON (cable clamp)	1	0A-1 By Ohm Electric
⑩	Nylon Connector Set	1	D-NLCS-1941-3P/R
⑪	Air Cylinder	1	D-MCY-F-40 By Taiyo



## Bracket (2) KSCH



Catalog No.	Travel S
	150
	200
APEHB (With Bracket)	250
APEH (Without Bracket)	300
	350
	400
	500



Order

Catalog No.	S
APEHB	250



Made to order.

## Bracket

Catalog No.

KSCH



Order

Catalog No.
KSCH

## For operation

- When the bracket is used, the pusher can be folded for storage.
- Since the guide pin is square shaped, it does not turn.
- Type with or without bracket can be selected.
- When the unit is assembled to the die, weld the bracket to the desired position of the base plate.

Refer to page 353~ for the pusher spring head and the connector plate.