

Sub Lifter

FLANGE MOUNTING TYPE

CAD FILE

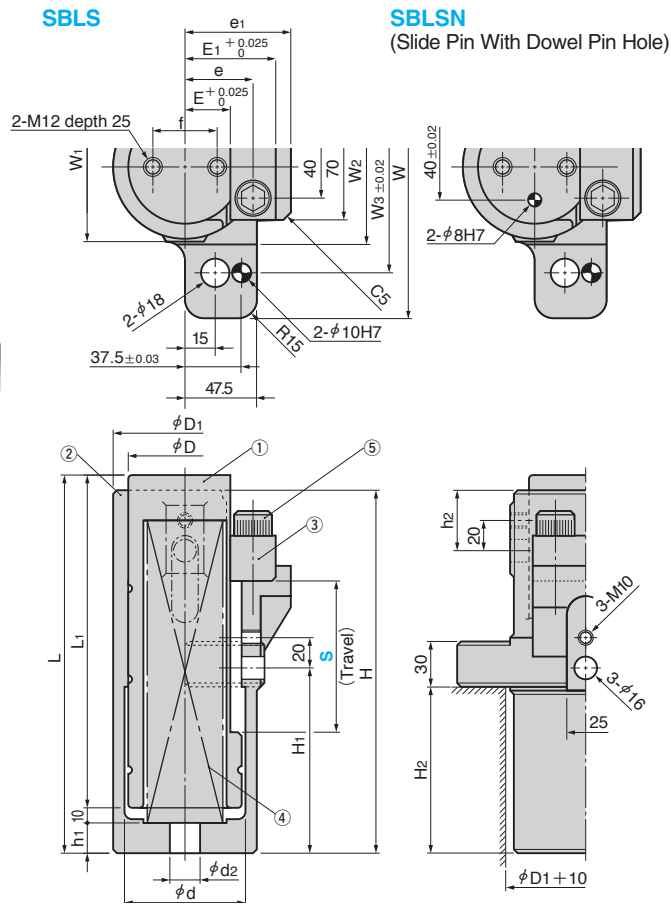


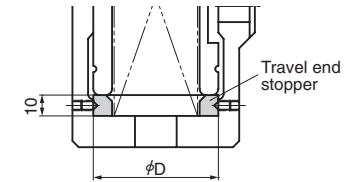
Table of Components

No.	Description	Qty	Material and Remark
①	Slide Pin	1	FCD450
②	Casing	1	FC250
③	Stopper	1	FC250 with Graphite
④	Spring	1	Refer to Spring Specification
⑤	Hexagon Socket Head Cap Screw	2	SCM435 M16×60

Catalog No.	S	D	D ₁	d	d ₂	L	L ₁	H	H ₁	H ₂	h ₁	h ₂
SBL SBLSN	60	60	80	65	20	160	135	150	67.5	55	15	40
	80	65	85	70	20	195	170	185	97.5	75	15	40
	120	75	95	80	30	250	220	240	122.5	95	20	45

Catalog No.	S	E	e	E ₁	e ₁	f	W	W ₁	W ₂	W ₃
SBL SBLSN	60	25	40	55	65	30	155	82	84	125
	80	25	40	55	65	30	160	87	89	130
	120	30	45	60	70	40	170	97	99	140

Option	Option Code	Specification
	D	Travel end stopper is provided.

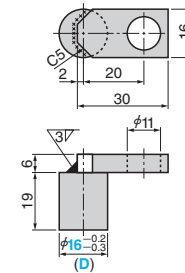


Order	Catalog No.	S	Option
	SBL SBLSN	120 80	- D

Catalog No.	S	Spring	Initial		Final	
			Length (mm)	Load (N)	Length (mm)	Load (N)
SBL SBLSN	60	TF40-200	175	320	115	1088
	80	D340-250	235	300	155	1900
	120	TF50-350	320	342	200	1710

Lock Pin

SBLP16



Catalog No.	(D)
SBLP	16

Order	Catalog No.	S
	SBL SBLSN	80