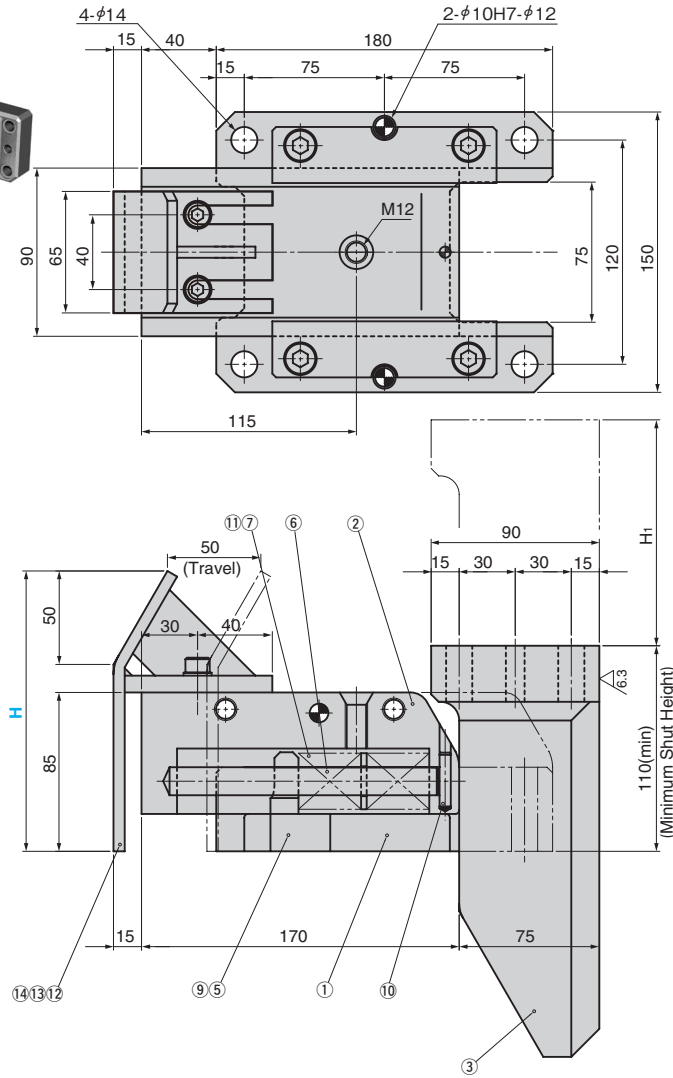
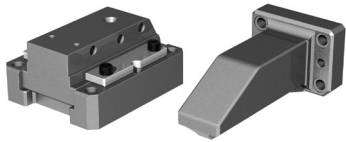


Side Gauge

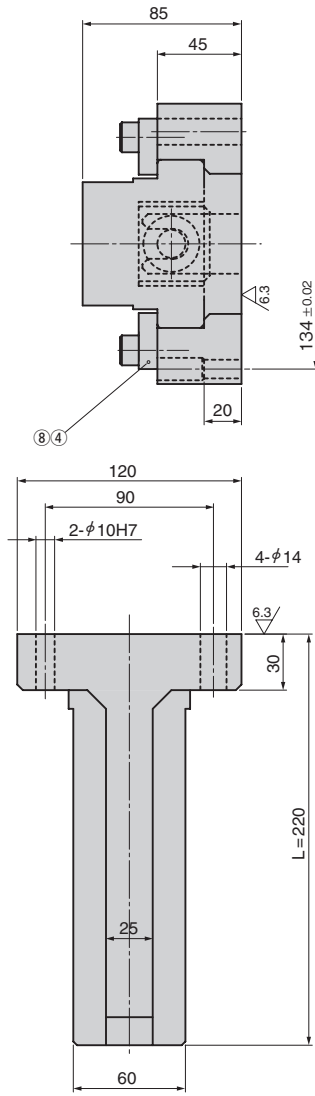
CAM TYPE



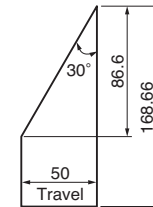
SGCM



This figure shows SGCM with gauge.



Cam Diagram



■ **Spring Force** Initial Load 141.5N (14.4kgf)
Final Load 686.0N (69.9kgf)

Table of Components

No.	Description	Qty	Material and Remark
①	Base	1	FC250
②	Slider	1	FC250 with Graphite
③	Driver	1	FC250
④	Upper Plate	2	SS400
⑤	Spring Stopper	1	SS400
⑥	Spring Guide Pin	1	SS400
⑦	Spring	2	SWOSC-V TF30×65
⑧	Hexagon Socket Head Bolt	4	SCM435 M10×25
⑨	Set Bolt	1	SCM435 M6×10
⑩	Dowel Pin with Female Thread	1	SUJ2 φ6(m6)×30
⑪	Washer	1	S45C
⑫	Gauge Plate	1	SS400
⑬	Washer	2	For M8
⑭	Hexagon Socket Head Bolt	2	SCM435 M8×20

Spring		H ₁	Catalog No.	L	H
Initial Load N	Final Load N				
141.5	686.0	168.66	SGCM	220	150
					200
					250



Order

Catalog No.	L	H
SGCM	220	200
SGCM	220	

(With gauge)
(Without gauge)



SGCM is made to order.