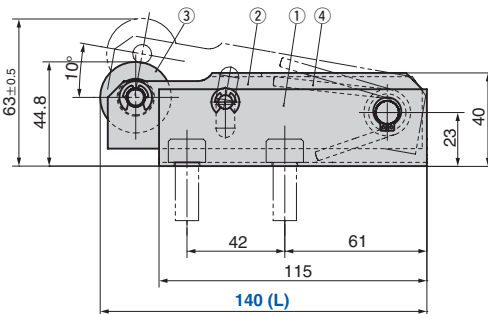
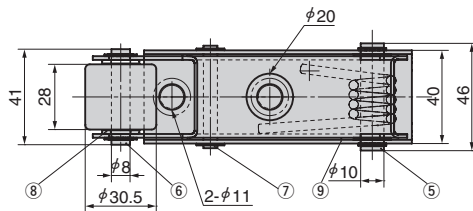
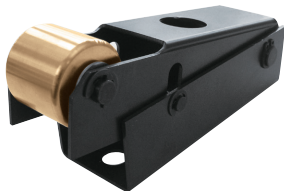


Coil Support

Economy Type

Blanking Die Components

TAJP



No.	Description	Qty	Material and Remark
1	Base	1	Steel
2	Tilt plate	1	Steel
3	Roller	1	SO-2
4	Spring	1	SWP-A
5	Hinge Pin A	1	Steel
6	Hinge Pin B	1	Steel
7	Hinge Pin C	1	Steel
8	Washer	2	Steel
9	Shim	2	—

Catalog No.	L	Spring Constant kgf · mm/deg
TAJP	140	18.84

Load (on roller) Initial pressure: 3.3kgf Final pressure: 5.0kgf



Order

Catalog No.

L

TAJP

140