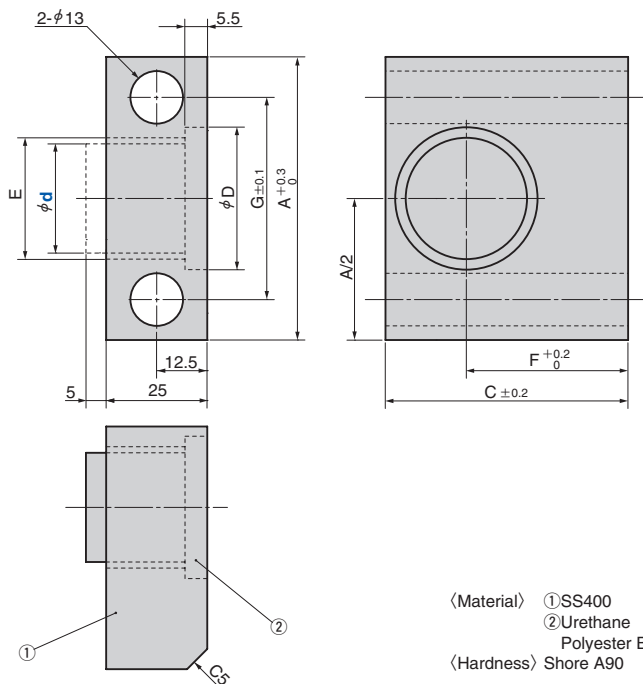


Cam Stopper

Thin Type

Cam Slide Components

SCSU



〈Material〉 ①SS400
②Urethane
Polyester Based
〈Hardness〉 Shore A90

Catalog No.	d	A	C	D	E	F	G	Load kN
SCSU	27	70	60	35.2	30	40	50	2.1
	36	80	70	45.2	40	45	60	4.2

Load is the value at 5 mm compression.



Order

Catalog No.

SCSU

d

36