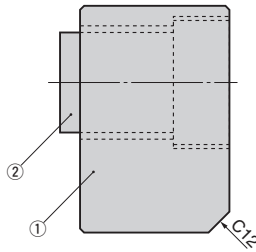
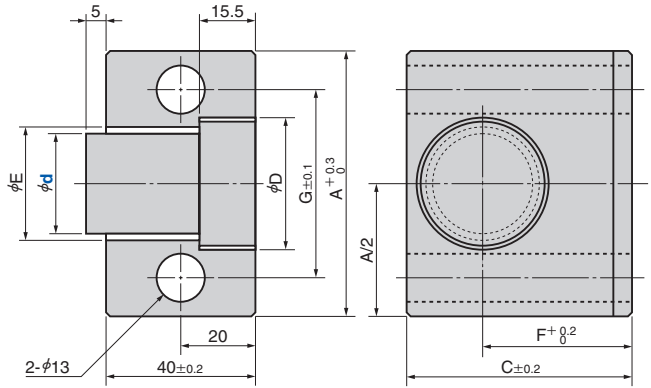
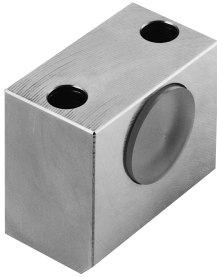


Cam Stopper

Cam Slide Components

SCSA

CAD
FILE



〈Material〉 ①SS400
②Urethane
Polyester Based
〈Hardness〉 Shore A90

Catalog No.	d	A	C	D	E	F	G	Load kN
SCSA	27	70	60	35	30	40	50	5.2
	36	80	70	45	40	45	60	9.8

Load is the value at 5 mm compression.



Catalog No.	d
SCSA	27

