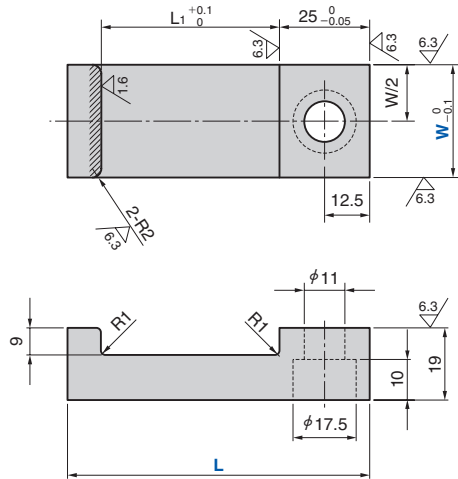


Cam Positive Return Follower

Cam Slide Components

CPRFH



(Material) 1045 (S45C)
(Hardness) HRC50~
Hatched area to be Induction Hardened

Catalog No.	W	L	L ₁
CPRFH	30	67.5	32.4
	35	77.5	42.4



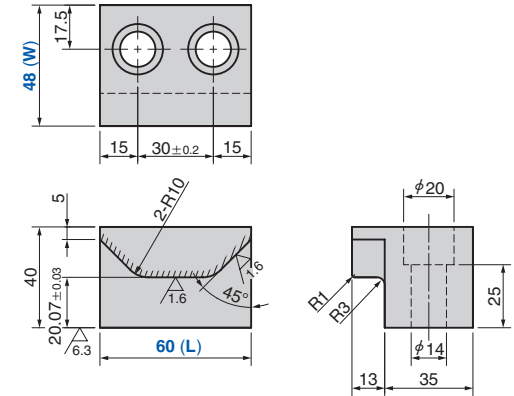
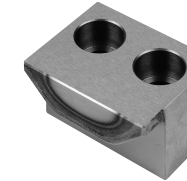
Order

Catalog No.	W	—	L
CPRFH	30	—	67.5

CPRKW (Bronze Type)

CPRKS (SS400 Type)

CPRKK (S45C Type)



CPRKW (Material) SO#50SP2
CPRKS (Material) SS400
CPRKK (Material) 1045 (S45C)
(Hardness) HRC50~
Hatched area to be Induction Hardened

Catalog No.	W	L
CPRKW		
CPRKS	48	60
CPRKK		



Order

Catalog No.	W	—	L
CPRKK	48	—	60