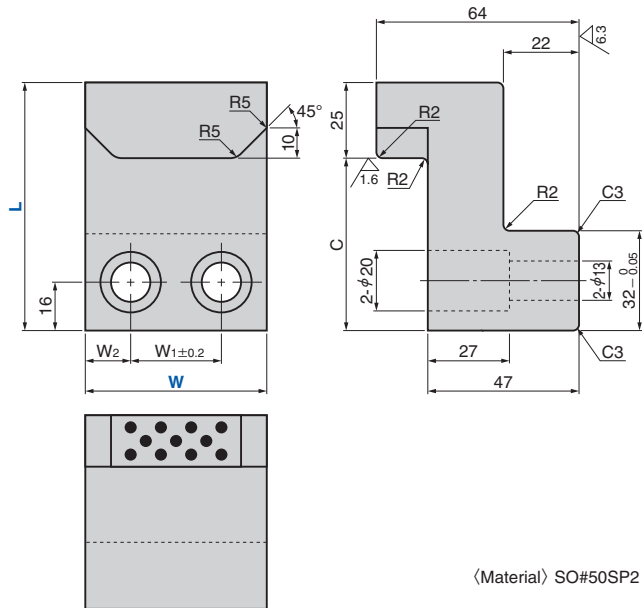


Cam Positive Return Follower

Cam Slide Components

CKPZ

CAD FILE



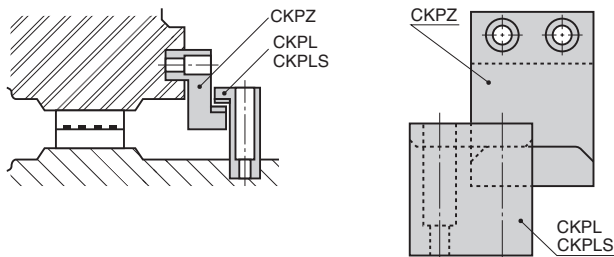
Catalog No.	W	L	W ₁	W ₂	C
		82			57
CKPZ	60	102	30	15	77
		112			87



Catalog No.	W	L
CKPZ	60	82



- Mounting outward from Cam Slider
Select the CKPZ and CKPL size according to each height for one Slide Plate or the V Guide Type Cam Slide Guide.



CKPL (Bronze with Graphite Type)

CKPLS (Steel Type)

CAD FILE

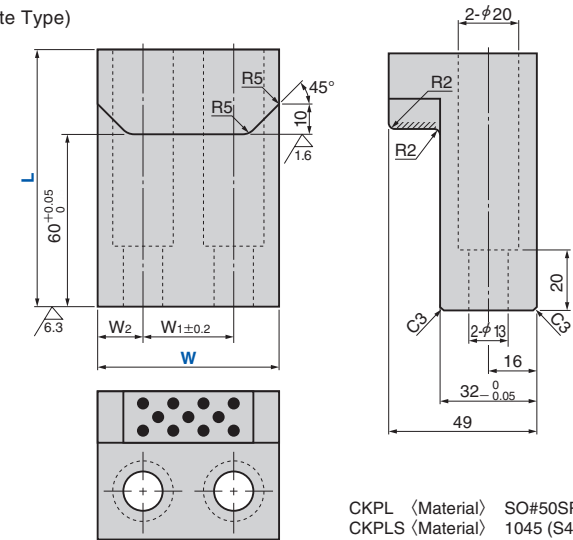
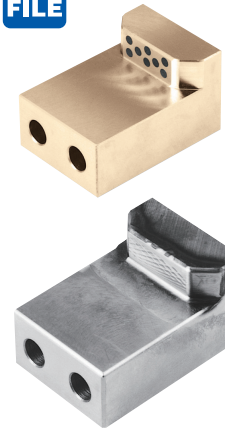


Figure shows CKPL.

CKPL (Material) SO#50SP2
CKPLS (Material) 1045 (S45C)
(Hardness) HRC50~
Hatched area to be Induction Hardened

Catalog No.	W	L	W ₁	W ₂
CKPL	60	85	30	15
CKPLS	80		40	20

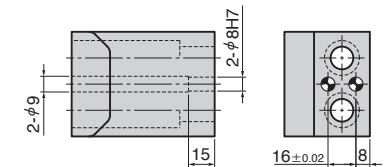


Catalog No.	W	L	Option
CKPL	60	85	- N
CKPLS	80	85	



Option Code	Specification
N	Dowel holes are drilled on CKPL and CKPLS.

● Dowel Hole Specification



- Mounting inward from Cam Slider (bottom)
Select the CKPL and CKPLS size according to each height for one Slide Plate or the V Guide Type Cam Slide Guide.

