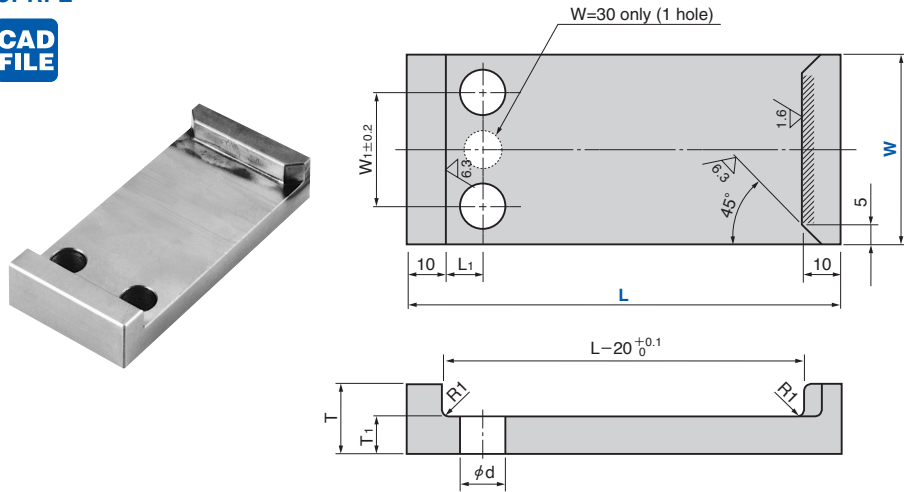


# Cam Positive Return Follower

## Cam Slide Components

CPRFE

CAD FILE



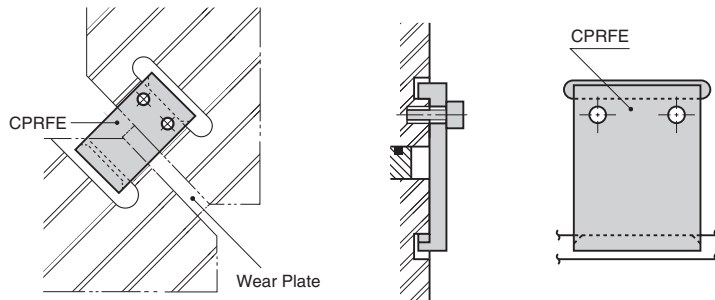
(Material) 1045 (S45C)  
(Hardness) HRC50~  
Hatched area to be Induction Hardened

Catalog No.	W	L	W <sub>1</sub>	L <sub>1</sub>	d	T	T <sub>1</sub>
CPRFE	30	55	-	7.5	10 (For M8)	16	8
		75					
	50	65	30	10	12 (For M10)	18	10
		85					
		105					

Order

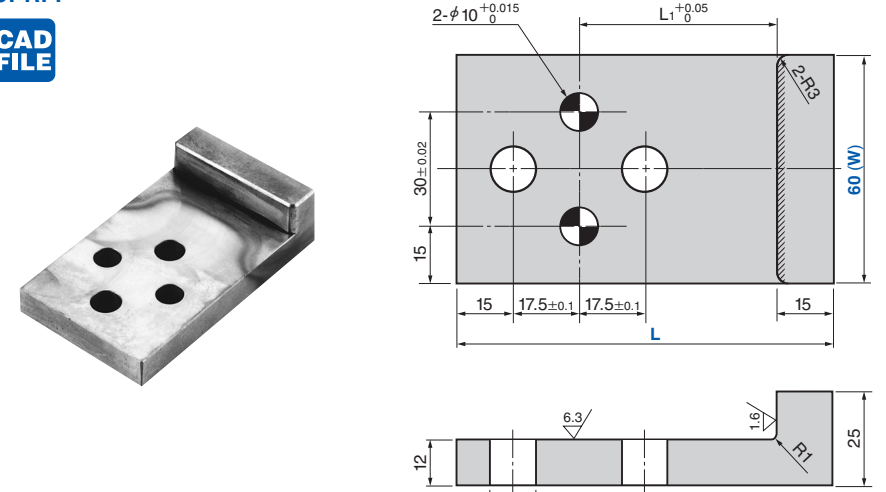
Catalog No. W - L  
CPRFE 50 - 85

Example



CPRFF

CAD FILE



(Material) SK85  
(Hardness) HRC55~  
Hatched area to be Induction Hardened

Catalog No.	W	L	L <sub>1</sub>
CPRFF	60	100	52.5
		120	72.5

Order

Catalog No. W - L  
CPRFF 60 - 120

Example

