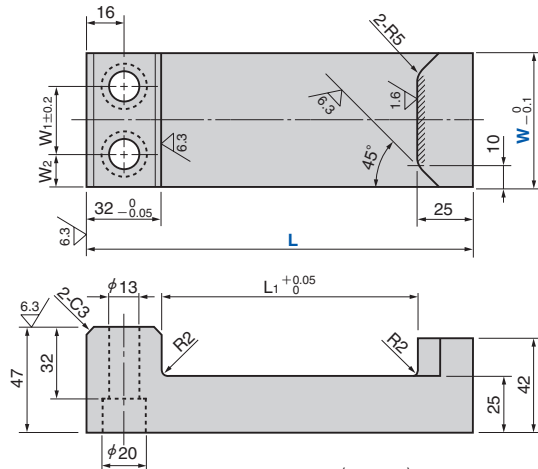


Cam Positive Return Follower

Cam Slide Components

CPRF



(Material) 1045 (S45C)
(Hardness) HRC50~
Hatched area to be Induction Hardened

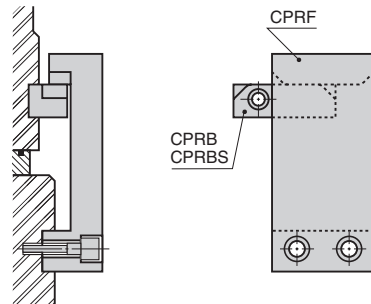
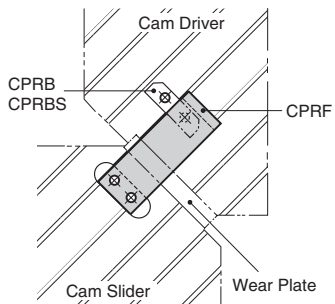
Catalog No.	W	L	L1	W1	W2
CPRF	60	171	114	30	15
		191	134		
	80	171	114	40	20
		191	134		



Catalog No.	W	L
CPRF	60	171

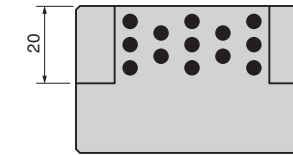
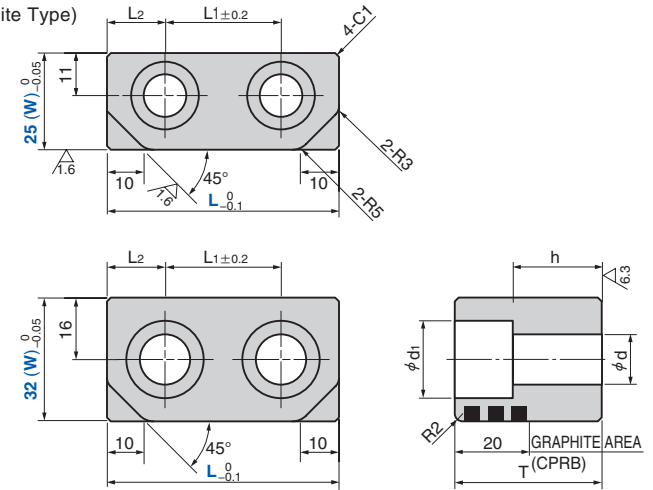


● Use this with the combination below.



CPRB (Bronze with Graphite Type)

CPRBS (Bronze Type)



● Sliding Direction



This figure shows CPRB.
CPRBS is without Graphite.

CPRB (Material) SO#50SP2
CPRBS (Material) SO-2

Catalog No.	W	L	T	L1	L2	d	d1	h
CPRB	25	60	30	30	15	11	17.5	18
CPRBS	32	60	38	40	20	13	20	23
		80						



Catalog No.	W	L
CPRB	32	80